

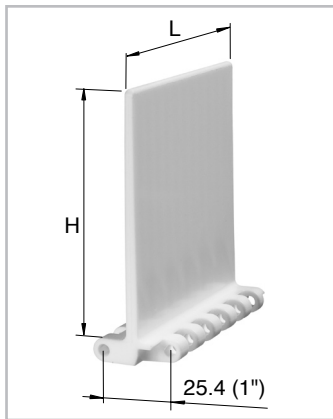
# HabasitLINK® Accessories – 1" Pitch Belting Flights and Sideguards M2500 (Straight Belts)

HabasitLINK® Modular Belts are available with flights to convey products on inclined planes. The flight modules are injection molded one-piece designs that, when assembled, become an integral part of the belt.

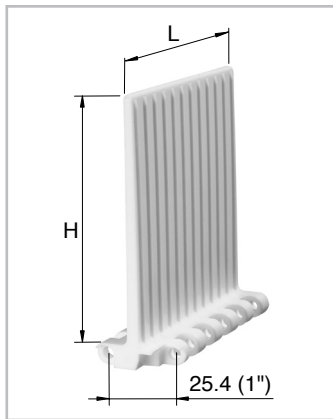
Flight modules are available with ribs on one side ("no-cling") for improved release of wet or sticky food products and can also be cut to non-standard heights.

	Flat Top flights straight open hinge (USDA)		Flat Top flights straight closed hinge		Flat Top flights bent (Scoop) open hinge (USDA)		Flush Grid flight corrugated open hinge (USDA)		Sideguards	
Code flight sideguard	M2510Fxx*		M2520Fxx*		M2510B07		M2533F07 M253JF07		M2520Gxx*	M252RGxx* M252LGxx*
Applicable for belt type	M2510 M2511		M2520 M2533		M2510 M2511		M2533		all 1" belts except M2531	
	height H	length L	height H	length L	height H	length L	height H	length L	height H	
mm	25	100	25	100	-	-	-	-	25	-
inch	1	4	1	4	-	-	-	-	1	-
mm	50	100	50	100	-	-	-	-	50	-
inch	2	4	2	4	-	-	-	-	2	-
mm	75	100	75	100	75	150	75	100	-	75
inch	3	4	3	4	3	6	3	4	-	3
mm	-	-	100	100	-	-	-	-	-	100
inch	-	-	4	4	-	-	-	-	-	4
mm	-	-	100	150	-	-	-	-	-	-
inch	-	-	4	6	-	-	-	-	-	-

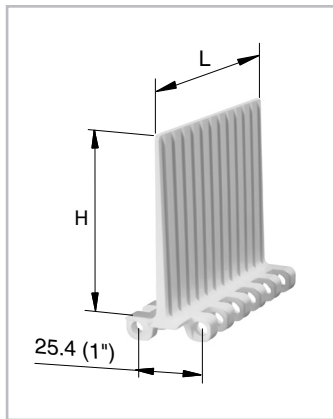
\*Code xx = height of flight: 25 mm = 02 50 mm = 05 75 mm = 07 100 mm = 10



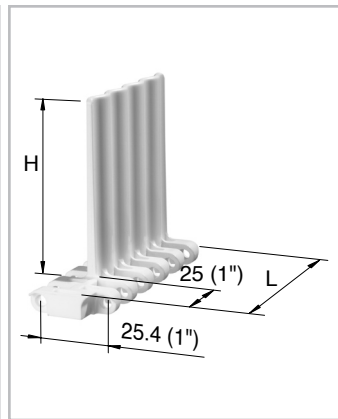
M2520Fxx  
smooth side



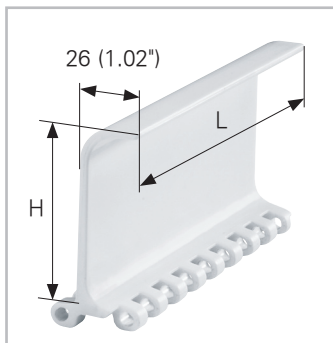
M2520Fxx  
"no-cling" side (ribs)



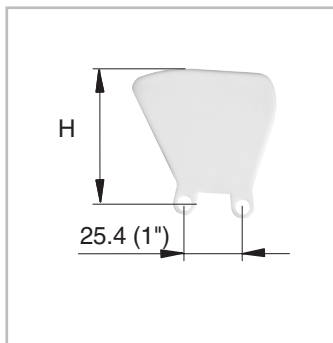
M2510Fxx  
open hinge; "no-cling" side



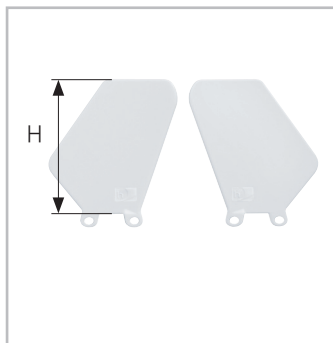
M253JF07, open hinge;  
indent flight, corrugated



M2510B07, Scoop  
open hinge



M2520G05



M252RG/FG10