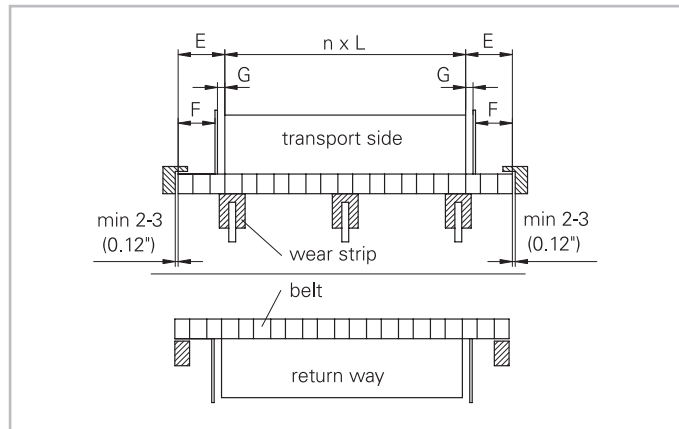


# HabasitLINK® Accessories – 1" Pitch Belting Flights and Sideguards M2500 (Straight Belts)

## Indents (E)

The flight indent  $E$  is the distance between the edge of the belt and the edge of flight, and  $F$  is the distance between belt edge and sideguard. It is required for adequate support of the belt on its return way and hold down during back-bending applications (elevators). On short conveyors or with special support structure, the flights may also be applied over the full belt width ( $E = 0$ ). (For the Flush Grid, flights edge modules with indents are available (fixed indent see illustration).)



## Notch (N)

The notch  $N$  is a gap in each row of flights, longitudinally aligned to allow the support of belts wider 600 mm (24") on its return way or in back-bending applications. The notch width ( $N$ ) and the distance  $M$  from belt edge is a multiple of the link increment 16.67 mm (0.66"). For M2500 series the minimum notch width is 33.3 mm (1.31").

