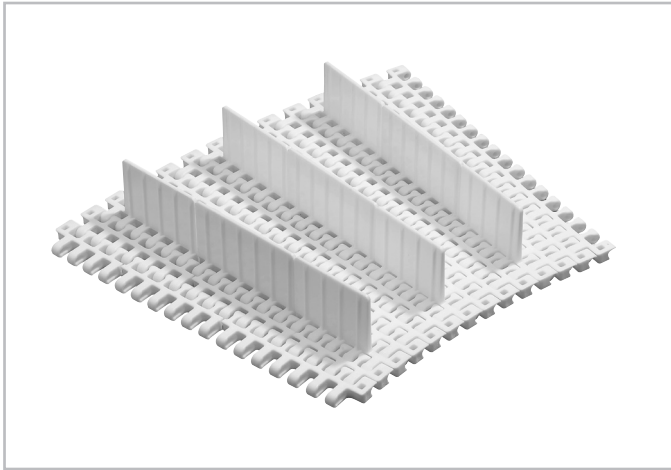


# HabasitLINK® Accessories – 1" Pitch Belting Flights and Sideguards M2540

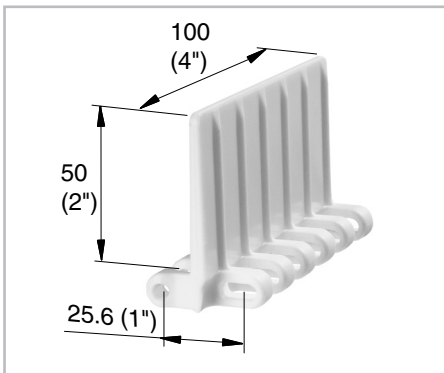


M2540 with middle and edge flights



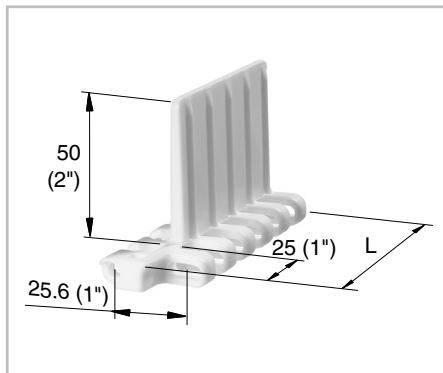
M2540 with sideguards and lane divider

Flights are available in 50mm (2") height, sideguards and lane dividers in 25mm (1") height, see illustrations below. Flights are available with ribs on one side for better release of wet or sticky food products ("no-cling"). They can be cut to specific width and height if required. The collapse factor remains unchanged.



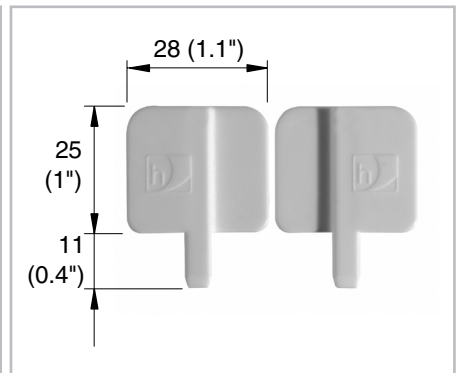
**Middle flight**

M2540F05



**Edge flight**

M254RF05 (right side)  
M254LF05 (left side)



**Sideguards**

M254RG02 (right side)  
M254LG02 (left side)

**Standard range of belt widths  $b_0$  for belts with flights**

mm	200	300	400	500	600	700	800	900	1000	1100	1200	1300	1400	1500	etc.
inch (nom.)	8	12	16	20	24	28	32	36	40	44	48	52	56	60	etc.

Real belt widths are in most cases 0.1% to 0.3% smaller.