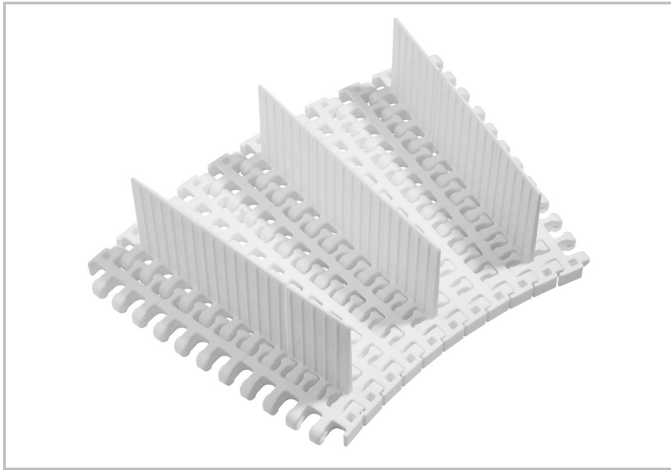
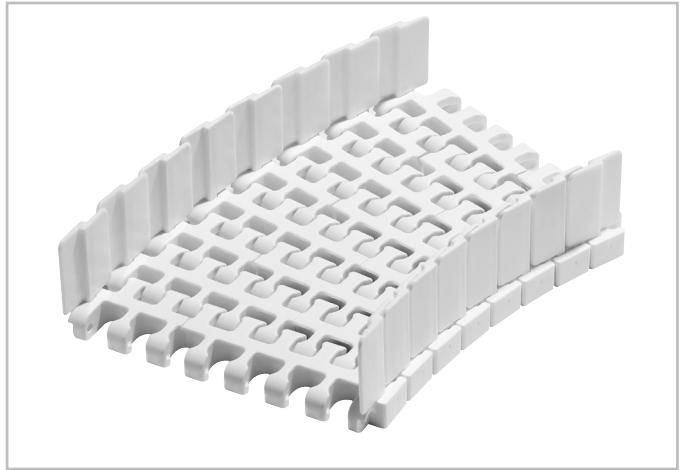


HabasitLINK® Accessories – 1-1/2" Pitch Belting Flights and Sideguards M3840

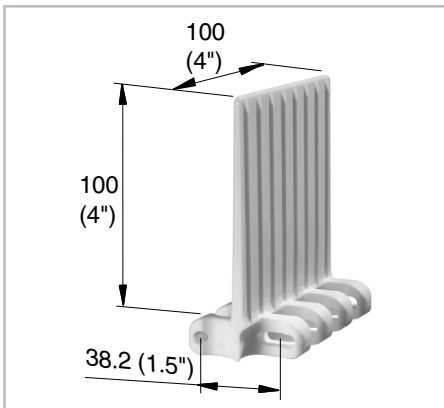


M3840 with flights

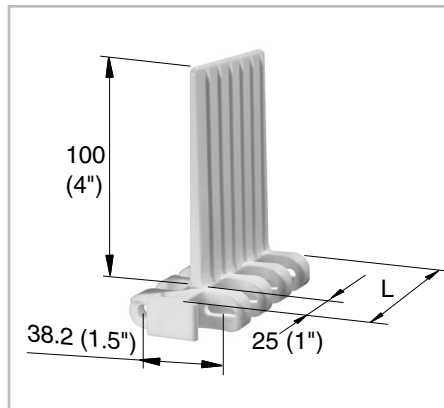


M3840 with sideguards

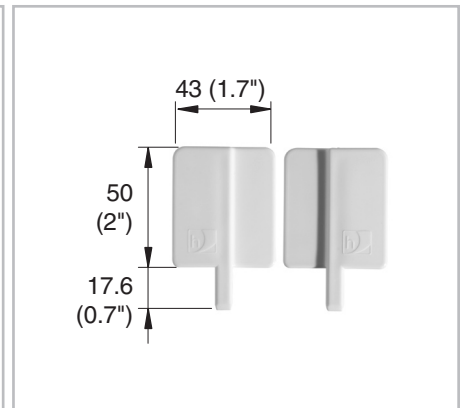
Flights are available in 100mm (4") height, sideguards in 50mm (2") height, see illustrations below. Flights are available with ribs on one side for better release of wet or sticky food products ("no-cling"). They can be cut to specific width and height if required. The collapse factor remains unchanged.



Middle flight
M3840F10



Edge flight
M384RF10 (right side)
M384LF10 (left side)
The total length L of the right and left type add to 200 mm (8")



Sideguards
M384RG05 (right side)
M384LG05 (left side)
left and right version can be put on the opposite edge, (no functional problems) but they cannot be mixed.

Standard range of belt widths for belts with flights b_0

mm	200	300	400	500	600	700	800	900	1000	1100	1200	1300	1400	1500	etc.
inch (nom.)	8	12	16	20	24	28	32	36	40	44	48	52	56	60	etc.

Real belt widths are in most cases 0.1% to 0.3% smaller.