

# HabiPLAST Radius and Straight Tracks Bevel Corner Tracks C0882 Series



**Chain Types:** C0882B

**Chain width:** 4.50", 7.50", 10"

**Angle:** 90°. Other angles on request

**Standard materials:**

T - TP40-C (Blue) chain track

R - PE10-B (Black) chain track + support plate

Other materials on request: PE40-W (Nat White)

PE05-B (Black), PA6C-D+LF (Grey)

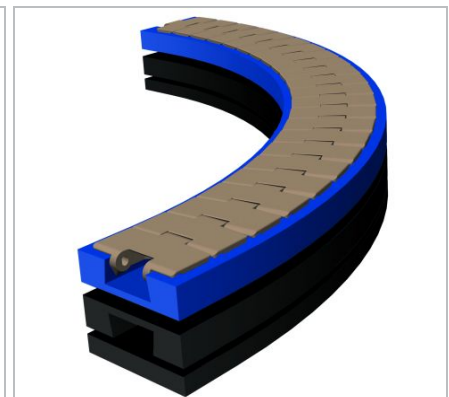
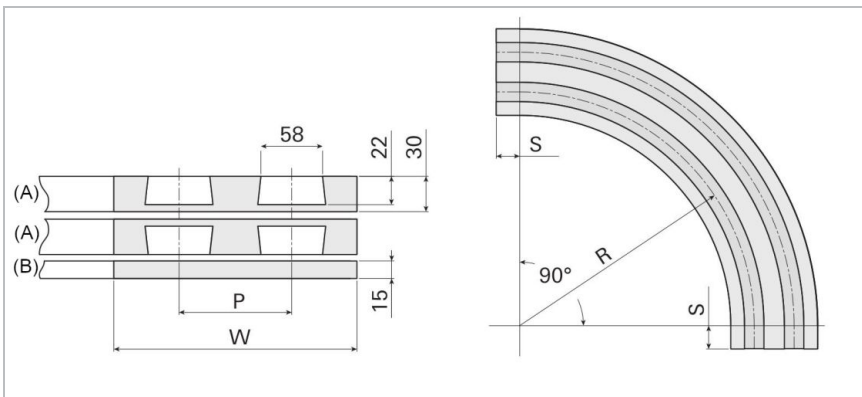
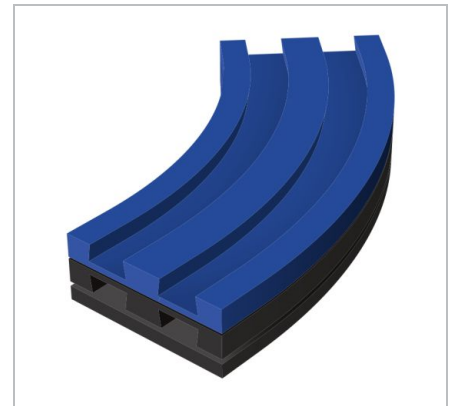
**Lanes:** 1, 2, 3. Additional lanes on request.

**Supplied as:** Single track

Part (A): Chain track

Part (B): Support plate

For carry + return, order 2 x (A) and 1 x (B), exception see (\*)



# HabiPLAST Radius and Straight Tracks Bevel Corner Tracks C0882 Series



## Data

Chain width	Lanes	Pitch P	Width W	Straight tangent S	Part	Radius R (Centerline 1st lane)			
						610 mm (24")	650 mm	800 mm	1000 mm
4.50"	1	-	130	-	A	TG23UTB-90-1#-00	-	-	-
					B	TG23UBB-90-1R-00	-	-	-
	50	A	TG23UTB-90-1#-04	TG23ETB-90-1#-04	TG23HTB-90-1#-04	TG23JTB-90-1#-04			
		B	TG23UBB-90-1R-04	TG23EBB-90-1R-04	TG23HBB-90-1R-04	TG23JBB-90-1R-04			
	2	120	250	50	A	TG23UTB-90-2#-04	-	-	-
					B	TG23UBB-90-2R-04	-	-	-
3	120	370	50	A	TG23UTB-90-3#-04	-	-	-	
				B	TG23UBB-90-3R-04	-	-	-	
7.50"	1	-	200	-	A	TG38UTB-90-1#-00	-	-	-
					B	TG38UBB-90-1R-00	-	-	-
	50	A	TG38UTB-90-1#-04	TG38ETB-90-1#-04	TG38HTB-90-1#-04	TG38JTB-90-1#-04			
		B	TG38UBB-90-1R-04	TG38EBB-90-1R-04	TG38HBB-90-1R-04	TG38JBB-90-1R-04			
	2	195	395	50	A	TG38UTB-90-2#-04	-	-	-
					B	TG38UBB-90-2R-04	-	-	-
3	195	590	50	A	TG38UTB-90-3#-04	-	-	-	
				B	TG38UBB-90-3R-04	-	-	-	
10"	1	-	270	-	A	TG50UTB-90-1#-00	-	-	-
					B	TG50UBB-90-1R-00	-	-	-
	50	A	TG50UTB-90-1#-04	TG50ETB-90-1#-04	TG50HTB-90-1#-04	TG50JTB-90-1#-04			
		B	TG50UBB-90-1R-04	TG50EBB-90-1R-04	TG50HBB-90-1R-04	TG50JBB-90-1R-04			
	2	260	530	50	A	TG50UTB-90-2#-04	-	-	-
					B	TG50UBB-90-2R-04	-	-	-
3(*)	260	790	50	A(*)	TG50UTB-45-3#-04	-	-	-	
				B(*)	TG50UBB-45-3R-04	-	-	-	

(\*) For 90°, 10" 3-lanes chain tracks order 4 times the 45° single chain track (A) and 2 times the 45° support plate (B). Complete the product code by substituting # with the chosen material code  
Ex.: TG23UTB-90-1T-00 (corner track in TP40-C Blue)

## Disclaimer

### Product Application Disclaimer (valid for ALL Habasit products and mentioned on all PDS)

This disclaimer is made by and on behalf of Habasit and its affiliated companies, directors, employees, agents and contractors (hereinafter collectively "HABASIT") with respect to the products referred to herein (the "Products"). SAFETY WARNINGS SHOULD BE READ CAREFULLY AND ANY RECOMMENDED SAFETY PRECAUTIONS BE FOLLOWED STRICTLY! Please refer to the Safety Warnings herein, in the Habasit catalogue as well as installation and operating manuals. All indications / information as to the application, use and performance of the Products are recommendations provided with due diligence and care, but no representations or warranties of any kind are made as to their completeness, accuracy or suitability for a particular purpose. The data provided herein are based on laboratory application with small-scale test equipment, running at standard conditions, and do not necessarily match product performance in industrial use. New knowledge and experience may lead to re-assessments and modifications within a short period of time and without prior notice.  
EXCEPT AS EXPLICITLY WARRANTED BY HABASIT, WHICH WARRANTIES ARE EXCLUSIVE AND IN LIEU OF ALL OTHER WARRANTIES, EXPRESS OR IMPLIED, THE PRODUCTS ARE PROVIDED "AS IS". HABASIT DISCLAIMS ALL OTHER WARRANTIES, EITHER EXPRESS OR IMPLIED, INCLUDING, BUT NOT LIMITED TO, IMPLIED WARRANTIES OF MERCHANTABILITY, FITNESS FOR A PARTICULAR PURPOSE, NON-INFRINGEMENT, OR ARISING FROM A COURSE OF DEALING, USAGE, OR TRADE PRACTICE, ALL OF WHICH ARE HEREBY EXCLUDED TO THE EXTENT ALLOWED BY APPLICABLE LAW. BECAUSE CONDITIONS OF USE IN INDUSTRIAL APPLICATION ARE OUTSIDE OF HABASIT'S CONTROL, HABASIT DOES NOT ASSUME ANY LIABILITY CONCERNING THE SUITABILITY AND PROCESS ABILITY OF THE PRODUCTS, INCLUDING INDICATIONS ON PROCESS RESULTS AND OUTPUT.