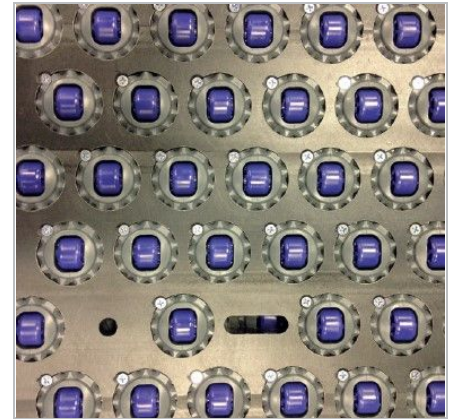


Gravity Roller Plates RT102S Series



Description

- Rollers position 50.8 mm x 50.8 mm (2" x 2") pattern, with offset in direction of travel
- Rollers angle: 0 to 90° with 15° step increments
- Customizable angles of rollers in the same sheet
- PE black base plate
- POM low friction blue rollers
- PP gray roller housing
- Plated setscrews
- Fast installation (delivered fully assembled)



Data

Part number	Width		Length		Roller angle
	mm	inch	mm	inch	Degree
RT102SP3048-1219DQS01	3048	120	1219	48	0
RT102SP1219-3048DQS01	1219	48	3048	120	0
RT102SP1981-0965DQS01	1981	78	965	38	0

Product data

Product type	Roller angle zero		Roller angle 30 degree	
	Product free flow		Product free flow	
	Chute angle	Coefficient of friction	Chute angle	Coefficient of friction
Rigid	4.5-5.0	0.08-0.09	5.0-6.0	0.09-0.11
Semi rigid	5.0-7.0	0.09-0.12	6.0-8.0	0.11-0.14
Soft	>7.0	>0.12	>8.0	>0.14

Product examples

- Rigid: hard plastic, steel cases
- Semi rigid: cardboard boxes, tires
- Soft: soft sided luggage Gravity roller plate data with standard roller orientation.

Other sizes, shapes and roller orientation available upon request. Actual chute angle and coefficient of friction values might be different. It is recommended to check the parameters according to the product type, roller orientation and chute angle.

Technical specification

Package maximum weight:

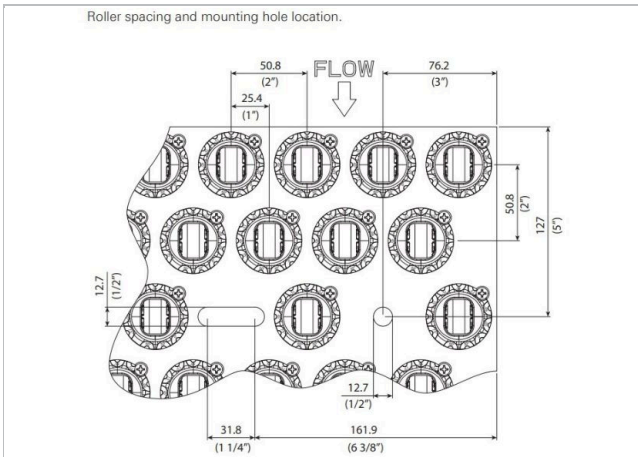
- 1000 kg/m² (200 lbs/ft²)

Gravity roller plate weight:

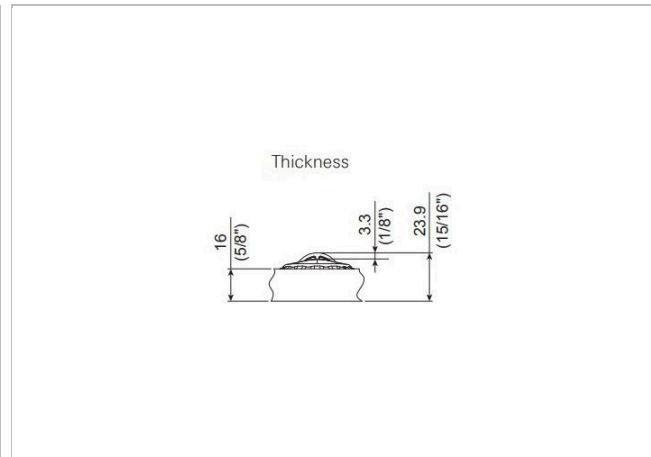
- 15.2 kg/m² (3.1 lbs/ft²)

Note: All data are approximate values under standard climatic conditions: 23 °C / 73 °F, 50% relative humidity (according to DIN 50005 / ISO 554).

Gravity Roller Plates RT102S Series



Plan view. Note: Two sets of mounting holes per plate



Side view

Disclaimer

Product Application Disclaimer (valid for ALL Habasit products and mentioned on all PDS)

This disclaimer is made by and on behalf of Habasit and its affiliated companies, directors, employees, agents and contractors (hereinafter collectively "HABASIT") with respect to the products referred to herein (the "Products"). SAFETY WARNINGS SHOULD BE READ CAREFULLY AND ANY RECOMMENDED SAFETY PRECAUTIONS BE FOLLOWED STRICTLY! Please refer to the Safety Warnings herein, in the Habasit catalogue as well as installation and operating manuals. All indications / information as to the application, use and performance of the Products are recommendations provided with due diligence and care, but no representations or warranties of any kind are made as to their completeness, accuracy or suitability for a particular purpose. The data provided herein are based on laboratory application with small-scale test equipment, running at standard conditions, and do not necessarily match product performance in industrial use. New knowledge and experience may lead to re-assessments and modifications within a short period of time and without prior notice.

EXCEPT AS EXPLICITLY WARRANTED BY HABASIT, WHICH WARRANTIES ARE EXCLUSIVE AND IN LIEU OF ALL OTHER WARRANTIES, EXPRESS OR IMPLIED, THE PRODUCTS ARE PROVIDED "AS IS". HABASIT DISCLAIMS ALL OTHER WARRANTIES, EITHER EXPRESS OR IMPLIED, INCLUDING, BUT NOT LIMITED TO, IMPLIED WARRANTIES OF MERCHANTABILITY, FITNESS FOR A PARTICULAR PURPOSE, NON-INFRINGEMENT, OR ARISING FROM A COURSE OF DEALING, USAGE, OR TRADE PRACTICE, ALL OF WHICH ARE HEREBY EXCLUDED TO THE EXTENT ALLOWED BY APPLICABLE LAW. BECAUSE CONDITIONS OF USE IN INDUSTRIAL APPLICATION ARE OUTSIDE OF HABASIT'S CONTROL, HABASIT DOES NOT ASSUME ANY LIABILITY CONCERNING THE SUITABILITY AND PROCESS ABILITY OF THE PRODUCTS, INCLUDING INDICATIONS ON PROCESS RESULTS AND OUTPUT.