

HabiPLAST Radius and Straight Tracks

Tab Corner Tracks C0880 Series



Chain Types: C0880T, C0879T, C1061T, C0881T & C8811T.

Also compatible: C0890T & C0770T

Chain width: 3.25"/3.30"/4.50"/7.50"

Angle: 90°. Other angles on request.

Standard materials:

T - TP40-C (Blue).

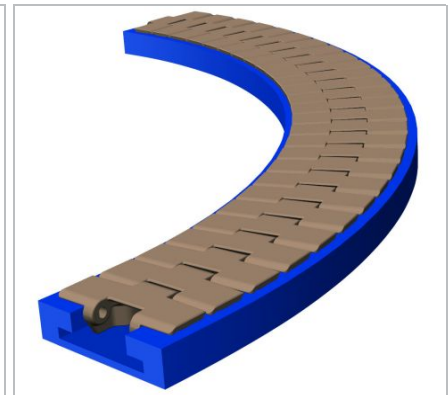
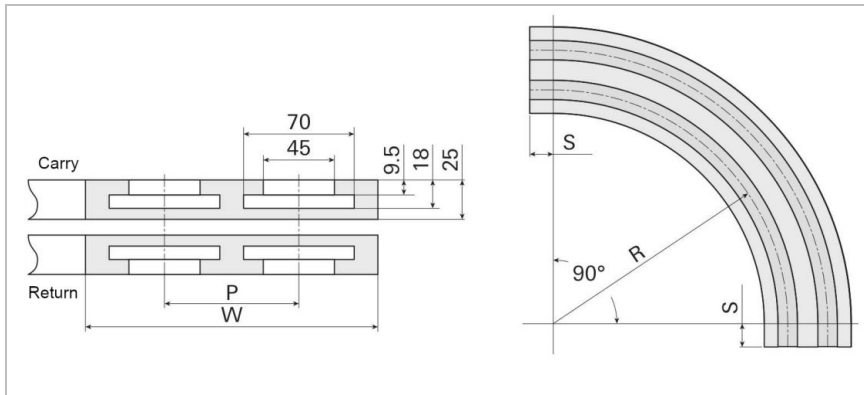
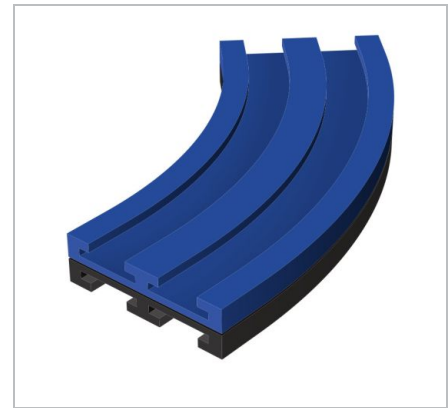
R - PE10-B (Black).

Other materials on request: PE40-W (Nat White),

PE05B (Black), PA6C-D+LF (Grey)..

Lanes: 1, 2, 3. Additional lanes on request

Supplied as: Single track. For carry + return, order 2 tracks.



Data

Chain width	Lanes	Pitch P	Width W	Straight tangent S	Radius R (Centerline 1st lane)			
					457 mm (18")*	500 mm	610 mm (24")	800 mm
3.25"	1	-	100	-	TE16RTT-90-1#-00	-	TE16UTT-90-1#-00	-
	1	-	100	50	-	TE16DTT-90-1#-04	TE16UTT-90-1#-04	-
3.30"	2	85	185	50	-	TE16DTT-90-2#-04	-	-
	3	85	270	50	-	TE16DTT-90-3#-04	-	-
4.50"	1	-	130	-	-	-	TE23UTT-90-1#-00	-
	1	-	130	50	-	-	TE23UTT-90-1#-04	TE23HTT-90-1#-04
	2	120	250	50	-	-	TE23UTT-90-2#-04	TE23HTT-90-2#-04
	3	120	370	50	-	-	TE23UTT-90-3#-04	-
7.50"	1	-	200	-	-	-	TE38UTT-90-1#-00	-
	1	-	200	50	-	-	TE38UTT-90-1#-04	TE38HTT-90-1#-04
	2	195	395	50	-	-	TE38UTT-90-2#-04	-
	3	195	590	50	-	-	TE38UTT-90-3#-04	-

Complete the product code by substituting # with the chosen material code

Ex.: TE23UTT-90-1**T**-00 (corner track in TP40-C Blue)

*not suitable for C1061T chain

HabiPLAST Radius and Straight Tracks Tab Corner Tracks C0880 Series



Disclaimer

Product Application Disclaimer (valid for ALL Habasit products and mentioned on all PDS)

This disclaimer is made by and on behalf of Habasit and its affiliated companies, directors, employees, agents and contractors (hereinafter collectively "HABASIT") with respect to the products referred to herein (the "Products"). SAFETY WARNINGS SHOULD BE READ CAREFULLY AND ANY RECOMMENDED SAFETY PRECAUTIONS BE FOLLOWED STRICTLY! Please refer to the Safety Warnings herein, in the Habasit catalogue as well as installation and operating manuals. All indications / information as to the application, use and performance of the Products are recommendations provided with due diligence and care, but no representations or warranties of any kind are made as to their completeness, accuracy or suitability for a particular purpose. The data provided herein are based on laboratory application with small-scale test equipment, running at standard conditions, and do not necessarily match product performance in industrial use. New knowledge and experience may lead to re-assessments and modifications within a short period of time and without prior notice.

EXCEPT AS EXPLICITLY WARRANTED BY HABASIT, WHICH WARRANTIES ARE EXCLUSIVE AND IN LIEU OF ALL OTHER WARRANTIES, EXPRESS OR IMPLIED, THE PRODUCTS ARE PROVIDED "AS IS". HABASIT DISCLAIMS ALL OTHER WARRANTIES, EITHER EXPRESS OR IMPLIED, INCLUDING, BUT NOT LIMITED TO, IMPLIED WARRANTIES OF MERCHANTABILITY, FITNESS FOR A PARTICULAR PURPOSE, NON-INFRINGEMENT, OR ARISING FROM A COURSE OF DEALING, USAGE, OR TRADE PRACTICE, ALL OF WHICH ARE HEREBY EXCLUDED TO THE EXTENT ALLOWED BY APPLICABLE LAW. BECAUSE CONDITIONS OF USE IN INDUSTRIAL APPLICATION ARE OUTSIDE OF HABASIT'S CONTROL, HABASIT DOES NOT ASSUME ANY LIABILITY CONCERNING THE SUITABILITY AND PROCESS ABILITY OF THE PRODUCTS, INCLUDING INDICATIONS ON PROCESS RESULTS AND OUTPUT.