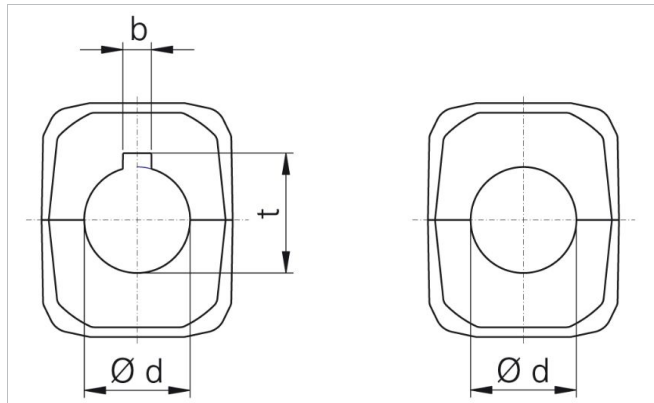


Description

- Available with round bore only (RL type) or with metric keyway according to ISO standard or imperial keyway according to ANSI standard (RZ type) or square bore (QZS type)
- RZ types are designed to clamp on standard shafts and are suitable for drive applications with all Multi-Hub sprocket rims
- QZS types need retainer rings for axial fixation
- RL types are designed to spin free on standard shafts
- RL types consist of extra low friction POM (Acetal) material for optimal sliding properties
- RL type inserts used for Multi-Hub sprocket rims (intended to be used as an idler) and Multi-Hub idler rims
- Set screw fixation option for imperial bores only



Sprocket data

Habasit code	Insert type	Bore size $\varnothing d$		b		t		Bore shape	Material
		mm	inch	mm	inch	mm	inch		
H025RZ-8	Drive	25.0		8.0		28.3		Round with keyway	GS
H030RZ-8	Drive	30.0		8.0		33.3		Round with keyway	GS
H035RZ-8	Drive	35.0		10.0		38.3		Round with keyway	GS
H040RZ-8	Drive	40.0		12.0		43.3		Round with keyway	GS
H040QZS84	Drive	40.0						Square	GS
H100RZ-8	Drive		1.00		0.25		1.12	Round with keyway	GS
H125RZ-8	Drive		1.25		0.25		1.37	Round with keyway	GS
H144RZ-8	Drive		1.44		0.38		1.61	Round with keyway	GS
H150RZ-8	Drive		1.50		0.38		1.67	Round with keyway	GS
H150QZS84	Drive		1.50					Square	GS
H025RL	Idler	25.0						Round	L
H030RL	Idler	30.0						Round	L
H035RL	Idler	35.0						Round	L
H040RL	Idler	40.0						Round	L
H100RL	Idler		1.00					Round	L
H125RL	Idler		1.25					Round	L
H144RL	Idler		1.44					Round	L
H150RL	Idler		1.50					Round	L

For further information and availability please contact your local Habasit partner.

Disclaimer

Product Application Disclaimer (valid for ALL Habasit products and mentioned on all PDS)

This disclaimer is made by and on behalf of Habasit and its affiliated companies, directors, employees, agents and contractors (hereinafter collectively "HABASIT") with respect to the products referred to herein (the "Products"). SAFETY WARNINGS SHOULD BE READ CAREFULLY AND ANY RECOMMENDED SAFETY PRECAUTIONS BE FOLLOWED STRICTLY! Please refer to the Safety Warnings herein, in the Habasit catalogue as well as installation and operating manuals. All indications / information as to the application, use and performance of the Products are recommendations provided with due diligence and care, but no representations or warranties of any kind are made as to their completeness, accuracy or suitability for a particular purpose. The data provided herein are based on laboratory application with small-scale test equipment, running at standard conditions, and do not necessarily match product performance in industrial use. New knowledge and experience may lead to re-assessments and modifications within a short period of time and without prior notice.

EXCEPT AS EXPLICITLY WARRANTED BY HABASIT, WHICH WARRANTIES ARE EXCLUSIVE AND IN LIEU OF ALL OTHER WARRANTIES, EXPRESS OR IMPLIED, THE PRODUCTS ARE PROVIDED "AS IS". HABASIT DISCLAIMS ALL OTHER WARRANTIES, EITHER EXPRESS OR IMPLIED, INCLUDING, BUT NOT LIMITED TO, IMPLIED WARRANTIES OF MERCHANTABILITY, FITNESS FOR A PARTICULAR PURPOSE, NON-INFRINGEMENT, OR ARISING FROM A COURSE OF DEALING, USAGE, OR TRADE PRACTICE, ALL OF WHICH ARE HEREBY EXCLUDED TO THE EXTENT ALLOWED BY APPLICABLE LAW. BECAUSE CONDITIONS OF USE IN INDUSTRIAL APPLICATION ARE OUTSIDE OF HABASIT'S CONTROL, HABASIT DOES NOT ASSUME ANY LIABILITY CONCERNING THE SUITABILITY AND PROCESS ABILITY OF THE PRODUCTS, INCLUDING INDICATIONS ON PROCESS RESULTS AND OUTPUT.