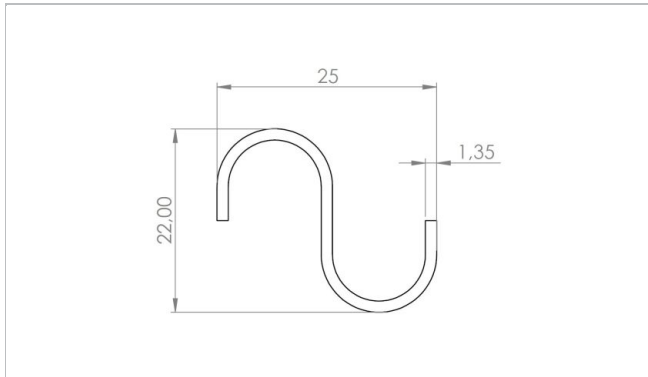
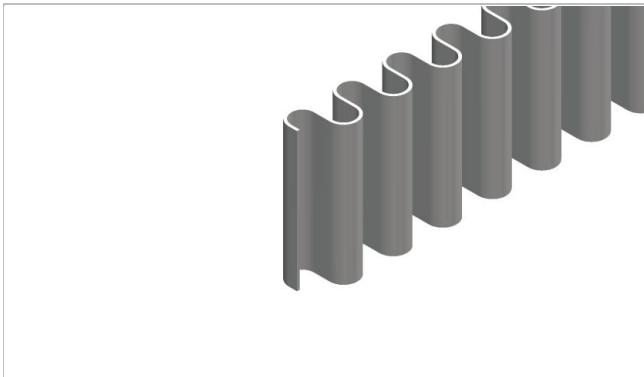


# Antimicrobial Corrugated sidewalls E-HB-F+H15



## Product data

| Technical data  |                   |     |
|-----------------|-------------------|-----|
| Material type   | TPU Polyester     |     |
| Hardness        | 85                | ShA |
| Material Option | USA Antimicrobial |     |

| Code               | Item number | Color | Food grade | DoC Name | h   |
|--------------------|-------------|-------|------------|----------|-----|
|                    |             |       |            |          | mm  |
| E-HB270-FW-B40+H15 | H950028902  | White | Yes        | FW+H15   | 270 |

All data are approximate values under standard climatic conditions: 23°C/73°F, 50% relative humidity (DIN 50005/ISO 554).

## Chemical resistance

Link to 'Chemical resistance information': <https://rims.habasit.com>

## Recommendation

General dimensional tolerance:  $\pm 3\%$  or  $\pm 0.20$  mm (whichever is greater).

Minimum pulley diameter depending on the height of the corrugated side wall profile on the belt:

- H = 20 mm - Ø 40 mm
- H = 30 mm - Ø 60 mm
- H = 40 mm - Ø 80 mm
- H = 50 mm - Ø 95 mm

This material contains an antimicrobial additive approved by EPA for use with conveyor belts in food contact applications

HabaGUARD belts are restricted for direct food contact applications to use at or below room temperature.

HabaGUARD is designed to meet the national regulations of the USA.

Compliance with regulations in other countries has to be ensured by the user.

This product does not protect users or others against food borne or disease-causing bacteria. Proper cleaning procedures must always be adhered to.

# Antimicrobial Corrugated sidewalls

## E-HB-F+H15



### **Disclaimer**

#### **Product Application Disclaimer (valid for ALL Habasit products and mentioned on all PDS)**

This disclaimer is made by and on behalf of Habasit and its affiliated companies, directors, employees, agents and contractors (hereinafter collectively "HABASIT") with respect to the products referred to herein (the "Products"). SAFETY WARNINGS SHOULD BE READ CAREFULLY AND ANY RECOMMENDED SAFETY PRECAUTIONS BE FOLLOWED STRICTLY! Please refer to the Safety Warnings herein, in the Habasit catalogue as well as installation and operating manuals. All indications / information as to the application, use and performance of the Products are recommendations provided with due diligence and care, but no representations or warranties of any kind are made as to their completeness, accuracy or suitability for a particular purpose. The data provided herein are based on laboratory application with small-scale test equipment, running at standard conditions, and do not necessarily match product performance in industrial use. New knowledge and experience may lead to re-assessments and modifications within a short period of time and without prior notice.

EXCEPT AS EXPLICITLY WARRANTED BY HABASIT, WHICH WARRANTIES ARE EXCLUSIVE AND IN LIEU OF ALL OTHER WARRANTIES, EXPRESS OR IMPLIED, THE PRODUCTS ARE PROVIDED "AS IS". HABASIT DISCLAIMS ALL OTHER WARRANTIES, EITHER EXPRESS OR IMPLIED, INCLUDING, BUT NOT LIMITED TO, IMPLIED WARRANTIES OF MERCHANTABILITY, FITNESS FOR A PARTICULAR PURPOSE, NON-INFRINGEMENT, OR ARISING FROM A COURSE OF DEALING, USAGE, OR TRADE PRACTICE, ALL OF WHICH ARE HEREBY EXCLUDED TO THE EXTENT ALLOWED BY APPLICABLE LAW. BECAUSE CONDITIONS OF USE IN INDUSTRIAL APPLICATION ARE OUTSIDE OF HABASIT'S CONTROL, HABASIT DOES NOT ASSUME ANY LIABILITY CONCERNING THE SUITABILITY AND PROCESS ABILITY OF THE PRODUCTS, INCLUDING INDICATIONS ON PROCESS RESULTS AND OUTPUT.