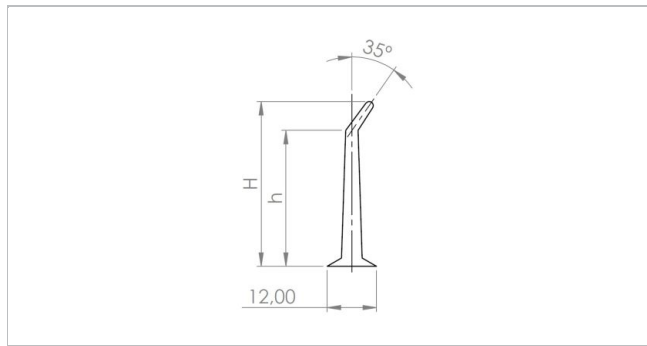
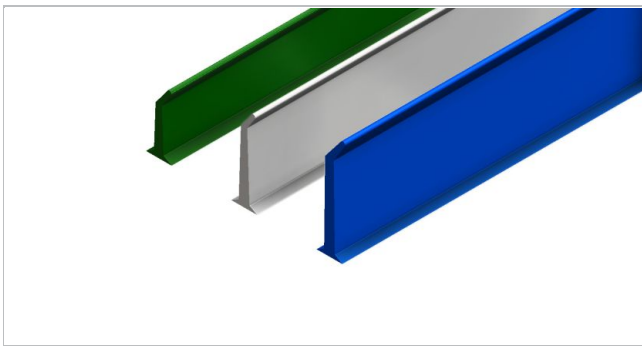


Bent Tip Cleats E-PB-F



Product data

Technical data		
Material type	TPU Polyester	
Hardness	85	ShA

Code	Item number	Color	Food grade	DoC Name	H	h	Weight
					mm	mm	kg/m
E-PB20-FC-B120	H090060149	Cobalt blue	Yes	FC	20	15.5	0.10
E-PB30-FC-B84	H090060150	Cobalt blue	Yes	FC	30	21.5	0.14
E-PB40-FC-B60	H090060151	Cobalt blue	Yes	FC	40	33	0.19
E-PB50-FC-B48	H090060152	Cobalt blue	Yes	FC	50	40	0.23
E-PB20-FW-B120	H090037280	White	Yes	FW	20	15.5	0.10
E-PB30-FW-B84	H090037281	White	Yes	FW	30	21.5	0.14
E-PB40-FW-B60	H090037282	White	Yes	FW	40	33	0.19
E-PB50-FW-B48	H090037283	White	Yes	FW	50	40	0.23
E-PB20-FD-B120	H090037237	Dark green	Yes	FD	20	15.5	0.10
E-PB30-FD-B84	H090037238	Dark green	Yes	FD	30	21.5	0.14
E-PB40-FD-B60	H090037239	Dark green	Yes	FD	40	33	0.19
E-PB50-FD-B48	H090037240	Dark green	Yes	FD	50	40	0.23

All data are approximate values under standard climatic conditions: 23°C/73°F, 50% relative humidity (DIN 50005/ISO 554).

Code	Minimum pulley dia. conveying side transversal
	mm
E-PB20-FC-B120	50
E-PB30-FC-B84	50
E-PB40-FC-B60	50
E-PB50-FC-B48	50
E-PB20-FW-B120	50
E-PB30-FW-B84	50
E-PB40-FW-B60	50
E-PB50-FW-B48	50
E-PB20-FD-B120	50
E-PB30-FD-B84	50
E-PB40-FD-B60	50
E-PB50-FD-B48	50

Chemical resistance

Link to 'Chemical resistance information': <https://rims.habasit.com>

Recommendation

General dimensional tolerance: $\pm 3\%$ or ± 0.20 mm (whichever is greater).

Disclaimer

Product Application Disclaimer (valid for ALL Habasit products and mentioned on all PDS)

This disclaimer is made by and on behalf of Habasit and its affiliated companies, directors, employees, agents and contractors (hereinafter collectively "HABASIT") with respect to the products referred to herein (the "Products"). SAFETY WARNINGS SHOULD BE READ CAREFULLY AND ANY RECOMMENDED SAFETY PRECAUTIONS BE FOLLOWED STRICTLY! Please refer to the Safety Warnings herein, in the Habasit catalogue as well as installation and operating manuals. All indications / information as to the application, use and performance of the Products are recommendations provided with due diligence and care, but no representations or warranties of any kind are made as to their completeness, accuracy or suitability for a particular purpose. The data provided herein are based on laboratory application with small-scale test equipment, running at standard conditions, and do not necessarily match product performance in industrial use. New knowledge and experience may lead to re-assessments and modifications within a short period of time and without prior notice.

EXCEPT AS EXPLICITLY WARRANTED BY HABASIT, WHICH WARRANTIES ARE EXCLUSIVE AND IN LIEU OF ALL OTHER WARRANTIES, EXPRESS OR IMPLIED, THE PRODUCTS ARE PROVIDED "AS IS". HABASIT DISCLAIMS ALL OTHER WARRANTIES, EITHER EXPRESS OR IMPLIED, INCLUDING, BUT NOT LIMITED TO, IMPLIED WARRANTIES OF MERCHANTABILITY, FITNESS FOR A PARTICULAR PURPOSE, NON-INFRINGEMENT, OR ARISING FROM A COURSE OF DEALING, USAGE, OR TRADE PRACTICE, ALL OF WHICH ARE HEREBY EXCLUDED TO THE EXTENT ALLOWED BY APPLICABLE LAW. BECAUSE CONDITIONS OF USE IN INDUSTRIAL APPLICATION ARE OUTSIDE OF HABASIT'S CONTROL, HABASIT DOES NOT ASSUME ANY LIABILITY CONCERNING THE SUITABILITY AND PROCESS ABILITY OF THE PRODUCTS, INCLUDING INDICATIONS ON PROCESS RESULTS AND OUTPUT.