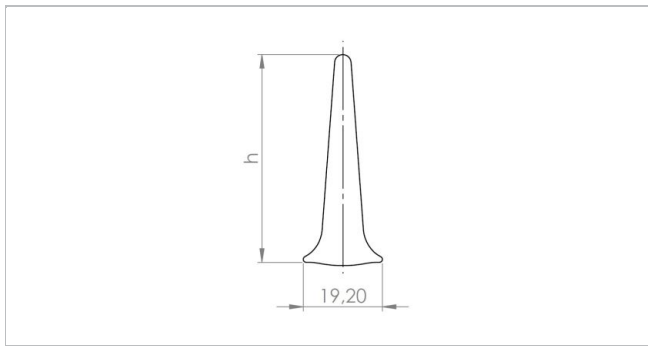
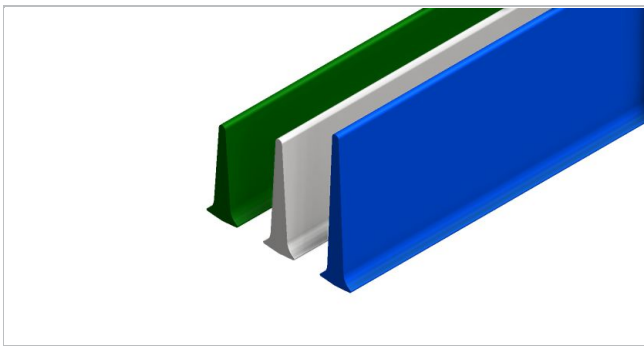


# Hygienic Cleats E-PH-R



## Product data

Technical data		
Material type	PVC	
Hardness	65	ShA

Code	Item number	Color	Food grade	DoC Name	h	Weight
					mm	kg/m
E-PH40-RC-B72	H090034831	Cobalt blue	Yes	RC	40	0.42
E-PH40-RD-B72	H090034832	Dark green	Yes	RD	40	0.42
E-PH40-RW-B72	H090034830	White	Yes	RW	40	0.42
E-PH60-RC-B43	H090034834	Cobalt blue	Yes	RC	60	0.59
E-PH60-RD-B43	H090034835	Dark green	Yes	RD	60	0.59
E-PH60-RW-B43	H090034833	White	Yes	RW	60	0.59
E-PH80-RC-B36	H090034837	Cobalt blue	Yes	RC	80	0.76
E-PH80-RD-B36	H090034838	Dark green	Yes	RD	80	0.76
E-PH80-RW-B36	H090034836	White	Yes	RW	80	0.76

All data are approximate values under standard climatic conditions: 23°C/73°F, 50% relative humidity (DIN 50005/ISO 554).

Code	Minimum pulley dia. conveying side transversal
	mm
E-PH40-RC-B72	90
E-PH40-RD-B72	90
E-PH40-RW-B72	90
E-PH60-RC-B43	90
E-PH60-RD-B43	90
E-PH60-RW-B43	90
E-PH80-RC-B36	90
E-PH80-RD-B36	90
E-PH80-RW-B36	90

## Chemical resistance

Link to 'Chemical resistance information': <https://rims.habasit.com>

## Recommendation

General dimensional tolerance:  $\pm 3\%$  or  $\pm 0.20$  mm (whichever is greater).

## **Disclaimer**

### **Product Application Disclaimer (valid for ALL Habasit products and mentioned on all PDS)**

This disclaimer is made by and on behalf of Habasit and its affiliated companies, directors, employees, agents and contractors (hereinafter collectively "HABASIT") with respect to the products referred to herein (the "Products"). SAFETY WARNINGS SHOULD BE READ CAREFULLY AND ANY RECOMMENDED SAFETY PRECAUTIONS BE FOLLOWED STRICTLY! Please refer to the Safety Warnings herein, in the Habasit catalogue as well as installation and operating manuals. All indications / information as to the application, use and performance of the Products are recommendations provided with due diligence and care, but no representations or warranties of any kind are made as to their completeness, accuracy or suitability for a particular purpose. The data provided herein are based on laboratory application with small-scale test equipment, running at standard conditions, and do not necessarily match product performance in industrial use. New knowledge and experience may lead to re-assessments and modifications within a short period of time and without prior notice.

EXCEPT AS EXPLICITLY WARRANTED BY HABASIT, WHICH WARRANTIES ARE EXCLUSIVE AND IN LIEU OF ALL OTHER WARRANTIES, EXPRESS OR IMPLIED, THE PRODUCTS ARE PROVIDED "AS IS". HABASIT DISCLAIMS ALL OTHER WARRANTIES, EITHER EXPRESS OR IMPLIED, INCLUDING, BUT NOT LIMITED TO, IMPLIED WARRANTIES OF MERCHANTABILITY, FITNESS FOR A PARTICULAR PURPOSE, NON-INFRINGEMENT, OR ARISING FROM A COURSE OF DEALING, USAGE, OR TRADE PRACTICE, ALL OF WHICH ARE HEREBY EXCLUDED TO THE EXTENT ALLOWED BY APPLICABLE LAW. BECAUSE CONDITIONS OF USE IN INDUSTRIAL APPLICATION ARE OUTSIDE OF HABASIT'S CONTROL, HABASIT DOES NOT ASSUME ANY LIABILITY CONCERNING THE SUITABILITY AND PROCESS ABILITY OF THE PRODUCTS, INCLUDING INDICATIONS ON PROCESS RESULTS AND OUTPUT.