

HabasitLINK® Sprocket Series M2960 Super HyCLEAN



M	29	S	12	40	Q	6
---	----	---	----	----	---	---

M = Modular belts
 Belt pitch
 S = sprocket one-piece
 Number of teeth
 Shaft size
 Shaft type: Q = square shaft; R = round shaft
 Material: 6 = POM; 8 = PA

Sprocket availability

Type	Number of teeth	Diam. of pitch $\varnothing d_p$		A_1		Hub width B_L		Square bore Q		\varnothing Round bore R		Standard material
		mm	inch	mm	inch	mm	inch	mm	inch	mm	inch	
S-CS	10	83.5	3.3	37.6	1.48	40	1.57	40	1	30	1	POM
S-CS	12	99.7	3.9	45.8	1.80	40	1.57	40	1	30	1	POM
S-CS	15	124.1	4.9	58.3	2.29	40	1.57	40	1	30 / 80*	1	POM
S-CS	18	148.6	5.9	70.8	2.79	40	1.57			30		POM

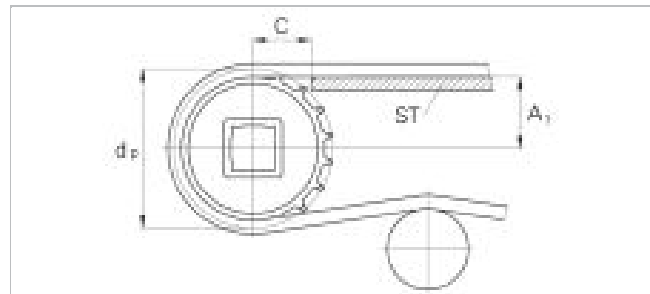
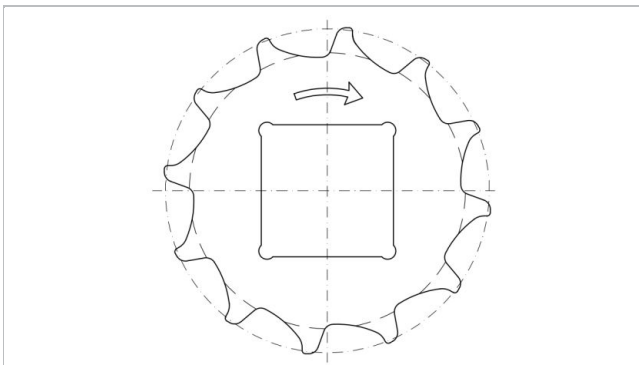
S-CS: machined sprockets. Other sprocket and hub sizes on request.

Key ways for round bore shape follow European standards for metric sizes and US standards for imperial sizes. For detailed dimensions see table in the Engineering Guide chapter Design Guide.

*For drummotors

Other materials are available on request.

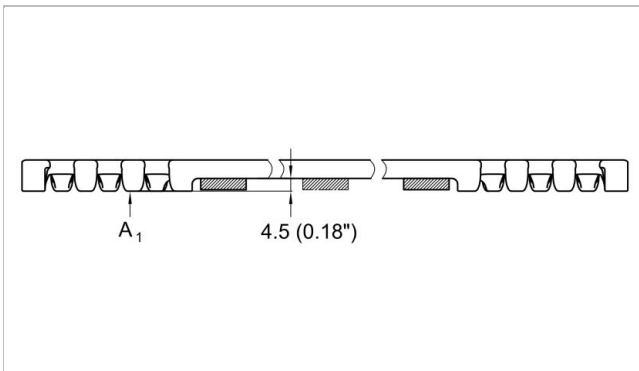
Super HyCLEAN belts are driven by two sprockets only. For wide belts a center support disc is recommended. M2960 sprockets are unidirectional.



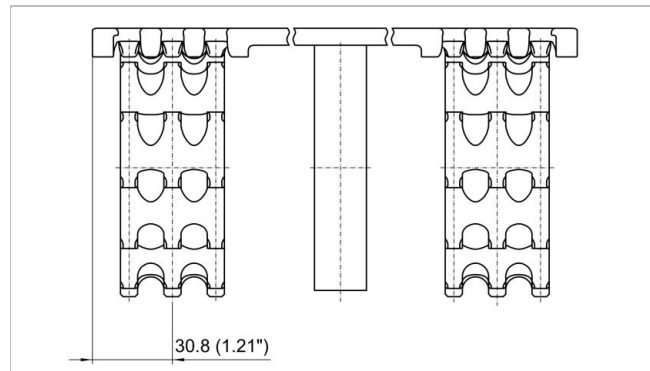
The distance C between the sprocket axis and the slider support ST is minimal 32 mm (1.26") for S12.

Sprocket positioning

Belt type	Sprocket edge distance (standard unidirectional)	
	X_L mm inch	X_R mm inch
M2960	30.8 1.21	30.8 1.21



Track the belt at edge or inside at recess by wear strips



Sprockets (at belt edges) and support discs (in center) placement

Support disc diameter (dependent on sprocket size)

Number of sprocket teeth	Diameter of support discs	
	mm	inch
10	78	3.07
12	94	3.70
15	120	4.72
18	144	5.67

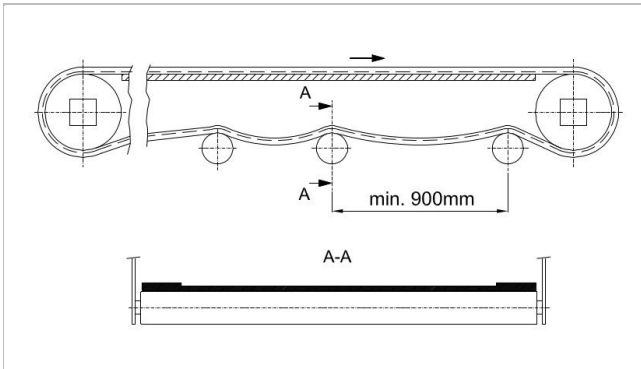
Edge roller and center roller diameter for M2960

Edge roller diameter mm (inch)	Center roller diameter mm (inch)
50 (1.97)	54.2 (2.13)
60 (2.36)	65.0 (2.56)
70 (2.76)	75.5 (2.97)
80 (3.15)	85.9 (3.38)
90 (3.54)	96.1 (3.78)
100 (3.94)	106.4 (4.19)

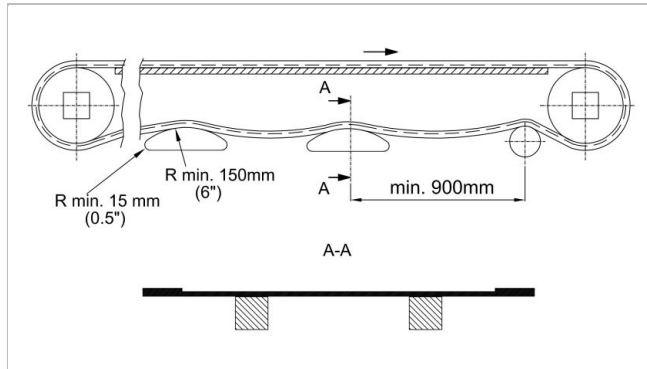
Numbers of support discs and wearstrips for M2960

Standard belt width (nominal)		Number of sprockets per shaft	Number of discs per shaft	Minimum Number of wearstrips	
mm	inch			Carryway	Returnway (bottom)
254	10	2	0	2	2
304.8	12	2	0	2	2
355.6	14	2	0	2	2
406.4	16	2	1	3	2
609.6	24	2	1	3	2

HabasitLINK® Sprocket Series M2960 Super HyCLEAN



For belt support rollers over entire belt width are preferred



Static shoes

Disclaimer

Product Application Disclaimer (valid for ALL Habasit products and mentioned on all PDS)

This disclaimer is made by and on behalf of Habasit and its affiliated companies, directors, employees, agents and contractors (hereinafter collectively "HABASIT") with respect to the products referred to herein (the "Products"). SAFETY WARNINGS SHOULD BE READ CAREFULLY AND ANY RECOMMENDED SAFETY PRECAUTIONS BE FOLLOWED STRICTLY! Please refer to the Safety Warnings herein, in the Habasit catalogue as well as installation and operating manuals. All indications / information as to the application, use and performance of the Products are recommendations provided with due diligence and care, but no representations or warranties of any kind are made as to their completeness, accuracy or suitability for a particular purpose. The data provided herein are based on laboratory application with small-scale test equipment, running at standard conditions, and do not necessarily match product performance in industrial use. New knowledge and experience may lead to re-assessments and modifications within a short period of time and without prior notice. EXCEPT AS EXPLICITLY WARRANTED BY HABASIT, WHICH WARRANTIES ARE EXCLUSIVE AND IN LIEU OF ALL OTHER WARRANTIES, EXPRESS OR IMPLIED, THE PRODUCTS ARE PROVIDED "AS IS". HABASIT DISCLAIMS ALL OTHER WARRANTIES, EITHER EXPRESS OR IMPLIED, INCLUDING, BUT NOT LIMITED TO, IMPLIED WARRANTIES OF MERCHANTABILITY, FITNESS FOR A PARTICULAR PURPOSE, NON-INFRINGEMENT, OR ARISING FROM A COURSE OF DEALING, USAGE, OR TRADE PRACTICE, ALL OF WHICH ARE HEREBY EXCLUDED TO THE EXTENT ALLOWED BY APPLICABLE LAW. BECAUSE CONDITIONS OF USE IN INDUSTRIAL APPLICATION ARE OUTSIDE OF HABASIT'S CONTROL, HABASIT DOES NOT ASSUME ANY LIABILITY CONCERNING THE SUITABILITY AND PROCESS ABILITY OF THE PRODUCTS, INCLUDING INDICATIONS ON PROCESS RESULTS AND OUTPUT.