

Monolithic Flat Belts

E-FB16-FW+TS/EH



Main industry segments

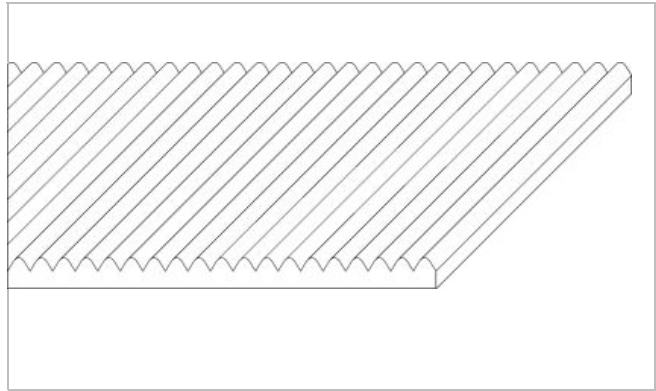
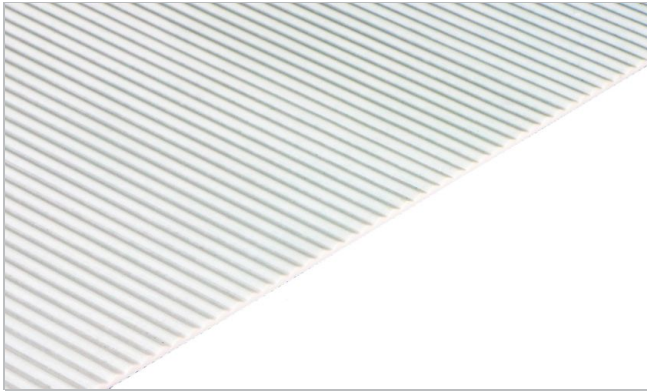
Baked snacks, Biscuit and Crackers, Candy, Chewing gum, Chocolate

Applications

Weighing belt

Special features

Abrasion resistant, Edges wear resistant, Elastic, Flexibility in all directions, Monolithic Belt, Non fraying, Oil and fat resistant, Small pulley diameter suitable



Product Construction / Design	
Material	Thermoplastic polyurethane (TPU)
Color	White
Conveying side surface	Sawtooth profile structure
Conveying side property	Adhesive
Pulley side surface	Medium textile structure
Pulley side property	Adhesive

Product characteristics	
Antistatically equipped	No
Adhesive free joining method	Yes
Knife edge roller suitable	Yes
Carrying rollers suitable	Yes
Slider bed suitable	Yes
Troughed installation suitable	No
Flammability	No specific flammability prevention property
X-Ray / Metal detector suitable	Yes
Laser markable	Yes
Food suitability, FDA conformance	Yes - Check Document of Compliance (DoC) in our Portal
Food suitability, USDA recommendations	No use intended
Food suitability, EU conformance	Yes - Check Document of Compliance (DoC) in our Portal

Monolithic Flat Belts

E-FB16-FW+TS/EH



Technical data		
Thickness of sheet	1.0 mm	0.039 inch
Thickness of belt	1.6 mm	0.06 inch
Mass of belt (belt weight)	1.5 kg/m ²	0.307 lb/sqft
Tensile force for 1% elongation (k1% static) per unit of width (Habasit standard SOP3-155)	0.25 N/mm	1 lbf/in
Tensile force for 1% elongation after relaxation (k1% relaxed) per unit of width (Habasit Standard SOP3-155 / EN ISO 21181)	0.20 N/mm	1 lbf/in
Min. operating temperature admissible (continuous)	-20 °C	-4 °F
Max. operating temperature admissible (continuous)	60 °C	140 °F
Coefficient of friction (pulley side / steel driving pulley)	0.65 -	
Coefficient of friction (pulley side / stainless steel slider bed)	0.70 -	
Coefficient of friction (PE sliding support)	0.50 -	
Seamless manufacturing width	1350 mm	53.15 inch

Joining related properties

Joining method	
Quickmelt	Master joining method for standard applications
Microflex 15 x 10	Optional joining method
Flexproof 8 x 30	Optional joining method

[Link to JDS:](#)

Joining method		Quickmelt	Microflex 15 x 10	Flexproof 8 x 30
Knife edge roller diameter (minimum)	mm inch	8.0 0.31	8.0 0.31	8.0 0.31
Pulley diameter (minimum)	mm inch	15 0.59	15 0.59	15 0.59
Pulley diameter minimum with counter flection	mm inch	15 0.59	15 0.59	15 0.59
Admissible tensile force per unit of width	N/mm lbf/in	1.0 6	0.10 1	1.0 6
Admissible tensile force per unit of width at max. operating temperature	N/mm lbf/in	0.20 1	0.20 1	0.20 1

All data are approximate values under standard climatic conditions: 23°C/73°F, 50% relative humidity (DIN 50005/ISO 554). Limited representative testing based on a standard configuration is carried out to estimate minimum pulley diameters. Please contact Habasit for specific guidance regarding non-standard applications, including, but not exclusively, when profiles or cleats are used, or if the belt working temperature is close to the limits listed in this document.

Monolithic Flat Belts

E-FB16-FW+TS/EH



Chemical resistance

Link to 'Chemical resistance information': <https://rims.habasit.com>

Mode of use or conveyance

Horizontal

Calculations

For most applications calculation is not required. Should you still need a calculation: please ask Habasit.

Recommendation

Do not go below initial elongation (epsilon) ~ 1.0%, Elastic belt: Initial elongation depends on belt load and application

Store spare belts in a cool and dry place and if possible in their original packaging. Protect spare belts from sunlight/UV-radiation/dust/dirt! Check Link for Storage requirements:

["https://tdm.habasit.com/pds/en-us/Storage%20of%20Habasit%20material.pdf"](https://tdm.habasit.com/pds/en-us/Storage%20of%20Habasit%20material.pdf)

This product has not been tested according to ATEX standards (atmospheres with explosion risk - ATEX 95 regulation or EU directive 2014/34/EU) and therefore is subject to user's analysis in the respective environment

Group	Monolithic Elastic Belts
Sub-Group	Flat Belts
Item number	H700016242

Disclaimer

Product Application Disclaimer (valid for ALL Habasit products and mentioned on all PDS)

This disclaimer is made by and on behalf of Habasit and its affiliated companies, directors, employees, agents and contractors (hereinafter collectively "HABASIT") with respect to the products referred to herein (the "Products"). SAFETY WARNINGS SHOULD BE READ CAREFULLY AND ANY RECOMMENDED SAFETY PRECAUTIONS BE FOLLOWED STRICTLY! Please refer to the Safety Warnings herein, in the Habasit catalogue as well as installation and operating manuals. All indications / information as to the application, use and performance of the Products are recommendations provided with due diligence and care, but no representations or warranties of any kind are made as to their completeness, accuracy or suitability for a particular purpose. The data provided herein are based on laboratory application with small-scale test equipment, running at standard conditions, and do not necessarily match product performance in industrial use. New knowledge and experience may lead to re-assessments and modifications within a short period of time and without prior notice. EXCEPT AS EXPLICITLY WARRANTED BY HABASIT, WHICH WARRANTIES ARE EXCLUSIVE AND IN LIEU OF ALL OTHER WARRANTIES, EXPRESS OR IMPLIED, THE PRODUCTS ARE PROVIDED "AS IS". HABASIT DISCLAIMS ALL OTHER WARRANTIES, EITHER EXPRESS OR IMPLIED, INCLUDING, BUT NOT LIMITED TO, IMPLIED WARRANTIES OF MERCHANTABILITY, FITNESS FOR A PARTICULAR PURPOSE, NON-INFRINGEMENT, OR ARISING FROM A COURSE OF DEALING, USAGE, OR TRADE PRACTICE, ALL OF WHICH ARE HEREBY EXCLUDED TO THE EXTENT ALLOWED BY APPLICABLE LAW. BECAUSE CONDITIONS OF USE IN INDUSTRIAL APPLICATION ARE OUTSIDE OF HABASIT'S CONTROL, HABASIT DOES NOT ASSUME ANY LIABILITY CONCERNING THE SUITABILITY AND PROCESS ABILITY OF THE PRODUCTS, INCLUDING INDICATIONS ON PROCESS RESULTS AND OUTPUT.