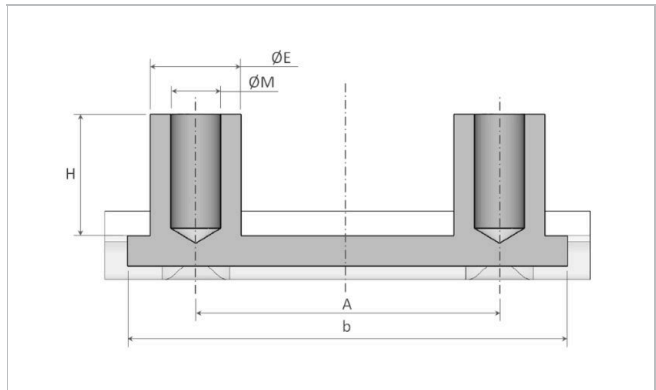
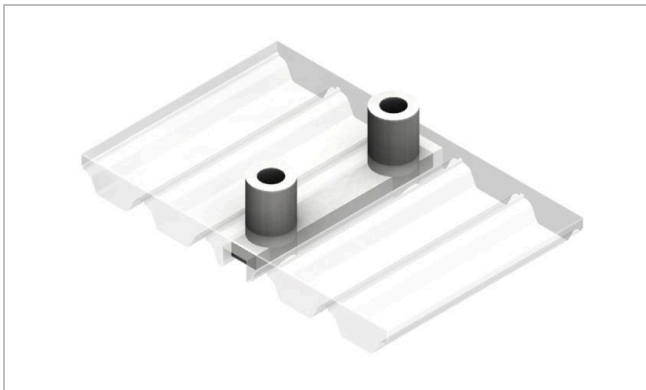


HabaSYNC® Timing Belts Accessories

False teeth - 2 bolts



Product Construction / Design

Material

Stainless steel

Technical data

Item number	b		ØE		Thread ØM	H		A		Timing belt pitch
	mm	inch	mm	inch		mm	inch	mm	inch	
FT-020I-2M4-080N2	20.0	0.79	6.0	0.24	M4	8.0	0.31	10.0	0.39	8M/AT10/AT20/T10/T20/H
FT-025I-2M4-046N1	24.0	0.94	6.0	0.24	M4	4.6	0.18	16.0	0.63	8M/AT10/AT20/T10/T20/H
FT-025I-2M4-080N2 ☆	24.0	0.94	6.0	0.24	M4	8.0	0.31	10.0	0.39	8M/AT10/AT20/T10/T20/H
FT-032I-2M4-046N1	31.0	1.22	6.0	0.24	M4	4.6	0.18	11.0	0.43	8M/AT10/AT20/T10/T20/H
FT-032I-2M4-080N1 ☆	29.0	1.14	6.0	0.24	M4	8.0	0.31	20.0	0.79	8M/AT10/AT20/T10/T20/H
FT-038I-2M4-080N1	36.5	1.44	6.0	0.24	M4	8.0	0.31	20.0	0.79	8M/AT10/AT20/T10/T20/H
FT-050I-2M4-045Z2	49.0	1.93	6.0	0.24	M4	4.6	0.18	25.0	0.98	T10
FT-050I-2M4-046N1	49.0	1.93	6.0	0.24	M4	4.6	0.18	25.0	0.98	8M/AT10/AT20/T10/T20/H
FT-050I-2M4-046Z1	49.0	1.93	6.0	0.24	M4	4.6	0.18	25.0	0.98	AT10
FT-050I-2M4-080N1 ☆	49.0	1.93	6.0	0.24	M4	8.0	0.31	25.0	0.98	8M/AT10/AT20/T10/T20/H
FT-050I-2M5-100N1	49.0	1.93	7.5	0.30	M5	10.0	0.39	25.0	0.98	14M/AT20/T20
FT-075I-2M4-120N1	74.0	2.91	6.0	0.24	M4	12.0	0.47	50.0	1.97	8M/AT10/AT20/T10/T20/H

☆ Popular item - High level of availability and generally a cost-effective solution.

Dimensions shown have an average tolerance of ± 0.1 mm / 0.004 inches.

All False Teeth may not be available in your local market. For design purposes and availability, please consult your local Habasit representative.

All data are approximate values under standard climatic conditions: 23°C/73°F, 50% relative humidity (DIN 50005/ISO 554).

HabaSYNC® Timing Belts Accessories

False teeth - 2 bolts



Chemical resistance

Link to 'Chemical resistance information': <https://rims.habasit.com>

Group	HabaSYNC® Timing Belts Accessories
Sub-Group	False teeth inserts

Disclaimer

Product Application Disclaimer (valid for ALL Habasit products and mentioned on all PDS)

This disclaimer is made by and on behalf of Habasit and its affiliated companies, directors, employees, agents and contractors (hereinafter collectively "HABASIT") with respect to the products referred to herein (the "Products"). SAFETY WARNINGS SHOULD BE READ CAREFULLY AND ANY RECOMMENDED SAFETY PRECAUTIONS BE FOLLOWED STRICTLY! Please refer to the Safety Warnings herein, in the Habasit catalogue as well as installation and operating manuals. All indications / information as to the application, use and performance of the Products are recommendations provided with due diligence and care, but no representations or warranties of any kind are made as to their completeness, accuracy or suitability for a particular purpose. The data provided herein are based on laboratory application with small-scale test equipment, running at standard conditions, and do not necessarily match product performance in industrial use. New knowledge and experience may lead to re-assessments and modifications within a short period of time and without prior notice.

EXCEPT AS EXPLICITLY WARRANTED BY HABASIT, WHICH WARRANTIES ARE EXCLUSIVE AND IN LIEU OF ALL OTHER WARRANTIES, EXPRESS OR IMPLIED, THE PRODUCTS ARE PROVIDED "AS IS". HABASIT DISCLAIMS ALL OTHER WARRANTIES, EITHER EXPRESS OR IMPLIED, INCLUDING, BUT NOT LIMITED TO, IMPLIED WARRANTIES OF MERCHANTABILITY, FITNESS FOR A PARTICULAR PURPOSE, NON-INFRINGEMENT, OR ARISING FROM A COURSE OF DEALING, USAGE, OR TRADE PRACTICE, ALL OF WHICH ARE HEREBY EXCLUDED TO THE EXTENT ALLOWED BY APPLICABLE LAW. BECAUSE CONDITIONS OF USE IN INDUSTRIAL APPLICATION ARE OUTSIDE OF HABASIT'S CONTROL, HABASIT DOES NOT ASSUME ANY LIABILITY CONCERNING THE SUITABILITY AND PROCESS ABILITY OF THE PRODUCTS, INCLUDING INDICATIONS ON PROCESS RESULTS AND OUTPUT.