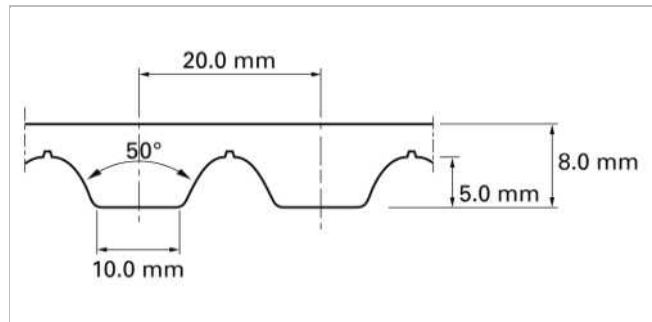
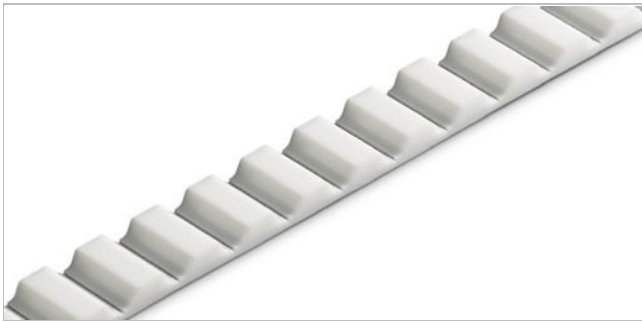


Description

20 mm pitch, AT shape, Metric, Modified trapezoidal, Performance steel cord



Sketch of basic shape

Product Construction / Design

TPU Type	Color	Hardness	Temperature range				Food grade ¹
			°C	°F	°C	°F	
01	White	92	-20	-4	80	176	No
05	Cobalt blue	90	-30	-22	80	176	Yes
16	Transparent	85	-30	-22	80	176	Yes
22	Transparent	90	-20	-4	70	158	Yes
06	Black	92	-20	-4	80	176	No

⁽¹⁾ This product is in compliance with relevant EU and/or US food contact requirements. Check the following link for detailed information [Documents of Compliance](#)

Standard belt options - Conveying side

Unprocessed (U)

Standard belt options - Teeth side

Antistatic black polyamide fabric (A)⁽²⁾, Green polyamide fabric (P), Unprocessed (U)

⁽²⁾ Fulfills ISO 9563

Technical data

Belt slitting width, nominal		Admissible tensile force, truly endless belt		Ultimate tensile strength		Tensile force for 1% elongation		Mass of belt (belt weight)	
mm	inch	N	lbf	N	lbf	N	lbf	kg/m	lb/ft
50.0	2.0	15000	3372	54000	12140	37510	8433	0.50	0.34

Maximum belt width (150 mm / 6 inch).

Belt versions with increased thickness are available on request. Please consider larger minimum pulley diameters.

The admissible tensile force always corresponds with a belt elongation of 0.4%. Joined belts are calculated with half admissible force. Please contact Habasit for detailed information and calculations.

[Link to JDS:](#)

Unit load table

RPM	F _i	M _i	P _i	RPM	F _i	M _i	P _i	RPM	F _i	M _i	P _i
[min ⁻¹]	[N/cm]	[Nm/cm]	[W/cm]	[min ⁻¹]	[N/cm]	[Nm/cm]	[W/cm]	[min ⁻¹]	[N/cm]	[Nm/cm]	[W/cm]
0	149.20	0.4750	0.000	1000	89.57	0.2849	29.817	2800	56.06	0.1784	52.269
20	146.38	0.4659	0.975	1100	86.69	0.2757	31.739	3000	53.65	0.1708	53.615
40	143.80	0.4577	1.916	1200	83.96	0.2673	33.572	3200	51.41	0.1636	54.803
60	141.34	0.4497	2.824	1300	81.49	0.2593	35.274	3400	49.29	0.1569	55.817
80	139.01	0.4424	3.704	1400	79.14	0.2519	36.914	3600	47.27	0.1505	56.716
100	136.84	0.4354	4.557	1500	76.91	0.2449	38.440	3800	45.40	0.1444	57.447
200	127.62	0.4060	8.498	1600	74.80	0.2380	39.851	4000	43.58	0.1387	58.050
300	120.39	0.3831	12.029	1700	72.85	0.2318	41.239	4500	39.36	0.1254	59.043
400	114.18	0.3636	15.220	1800	70.94	0.2257	42.524	5000	35.60	0.1134	59.334
500	108.83	0.3463	18.121	1900	69.18	0.2203	43.816	5500	32.21	0.1025	58.973
600	104.11	0.3316	20.822	2000	67.46	0.2146	44.915	6000	29.07	0.0925	58.067
700	99.91	0.3182	23.315	2200	64.29	0.2044	47.064	6500	26.15	0.0867	58.992
800	96.12	0.3061	25.627	2400	61.34	0.1952	49.030				
900	92.72	0.2950	27.787	2600	58.60	0.1865	50.741				

Technical data					
ØB		n _B	ØA		n _A
mm	inch		mm	inch	
160	6.30	25	250	9.84	25



All data are approximate values under **standard climatic conditions**: 23 °C / 73 °F, 50% relative humidity (DIN 50005 / ISO 554), and are based on the Master Joining Method.

Disclaimer

Product Application Disclaimer (valid for ALL Habasit products and mentioned on all PDS)

This disclaimer is made by and on behalf of Habasit and its affiliated companies, directors, employees, agents and contractors (hereinafter collectively "HABASIT") with respect to the products referred to herein (the "Products"). SAFETY WARNINGS SHOULD BE READ CAREFULLY AND ANY RECOMMENDED SAFETY PRECAUTIONS BE FOLLOWED STRICTLY! Please refer to the Safety Warnings herein, in the Habasit catalogue as well as installation and operating manuals. All indications / information as to the application, use and performance of the Products are recommendations provided with due diligence and care, but no representations or warranties of any kind are made as to their completeness, accuracy or suitability for a particular purpose. The data provided herein are based on laboratory application with small-scale test equipment, running at standard conditions, and do not necessarily match product performance in industrial use. New knowledge and experience may lead to re-assessments and modifications within a short period of time and without prior notice. EXCEPT AS EXPLICITLY WARRANTED BY HABASIT, WHICH WARRANTIES ARE EXCLUSIVE AND IN LIEU OF ALL OTHER WARRANTIES, EXPRESS OR IMPLIED, THE PRODUCTS ARE PROVIDED "AS IS". HABASIT DISCLAIMS ALL OTHER WARRANTIES, EITHER EXPRESS OR IMPLIED, INCLUDING, BUT NOT LIMITED TO, IMPLIED WARRANTIES OF MERCHANTABILITY, FITNESS FOR A PARTICULAR PURPOSE, NON-INFRINGEMENT, OR ARISING FROM A COURSE OF DEALING, USAGE, OR TRADE PRACTICE, ALL OF WHICH ARE HEREBY EXCLUDED TO THE EXTENT ALLOWED BY APPLICABLE LAW. BECAUSE CONDITIONS OF USE IN INDUSTRIAL APPLICATION ARE OUTSIDE OF HABASIT'S CONTROL, HABASIT DOES NOT ASSUME ANY LIABILITY CONCERNING THE SUITABILITY AND PROCESS ABILITY OF THE PRODUCTS, INCLUDING INDICATIONS ON PROCESS RESULTS AND OUTPUT.