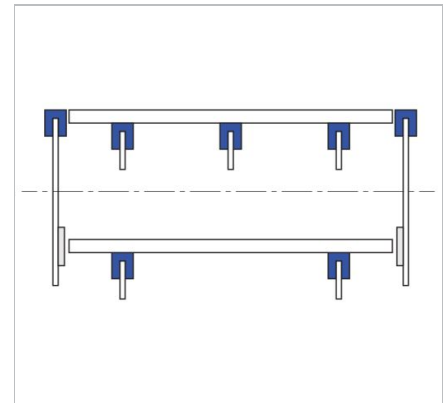
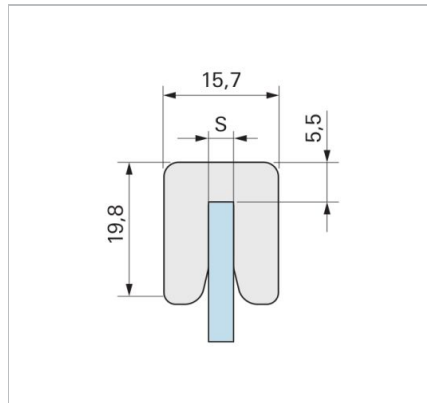
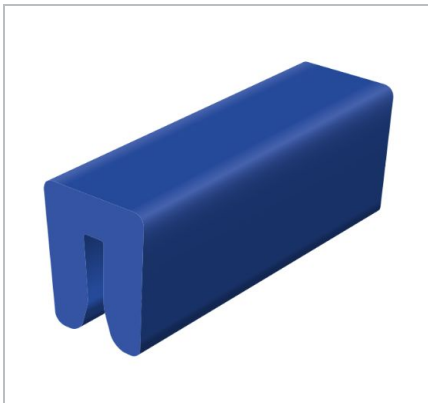


HabiPLAST Profile MB (MB01)



Standard materials: PE40 white and TriboPlus® TP40 cobalt blue Ultra High Molecular Weight Polyethylene.

Standard packaging: Bar.

Other materials, colors and lengths are available on request and for sufficient quantities.

Description

Extruded PE profile with a very low coefficient of friction and high resistance to chemical agents. Used as a sliding support for plastic modular belts and chains, or as a guiding aid for various purposes. This is used in a wide range of industries such as bottling, packaging, materials handling, and food processing.

TriboPlus® TP40C represents the new generation of UHMW Polyethylene and has outstanding tribological properties. It considerably reduces the coefficient of friction and increases the wear resistance of the guides used by modular belts and chains.

Code	s	Metal profile thickness	Material	Color	Packaging unit	Total length	Food grade
	mm	mm				m	
MB-22-PE40W-003+FG	2.2	2.0	PE40	white	Bar	3	•
MB-22-PE40W-006+FG	2.2	2.0	PE40	white	Bar	6	•
MB-22-TP40C-003+FG	2.2	2.0	TP40	cobalt blue	Bar	3	•
MB-27-PE40W-003+FG	2.7	2.5	PE40	white	Bar	3	•
MB-27-PE40W-006+FG	2.7	2.5	PE40	white	Bar	6	•
MB-27-TP40C-003+FG	2.7	2.5	TP40	cobalt blue	Bar	3	•
MB-32-PE40W-003+FG	3.2	3.0	PE40	white	Bar	3	•
MB-32-PE40W-006+FG	3.2	3.0	PE40	white	Bar	6	•
MB-32-TP40C-003+FG	3.2	3.0	TP40	cobalt blue	Bar	3	•
MB-47-PE40W-003+FG	4.7	4.5	PE40	white	Bar	3	•
MB-47-PE40W-006+FG	4.7	4.5	PE40	white	Bar	6	•
MB-47-TP40C-003+FG	4.7	4.5	TP40	cobalt blue	Bar	3	•
MB-52-PE40W-003+FG	5.2	5.0	PE40	white	Bar	3	•
MB-52-PE40W-006+FG	5.2	5.0	PE40	white	Bar	6	•
MB-52-TP40C-003+FG	5.2	5.0	TP40	cobalt blue	Bar	3	•

Note: All data are approximate values under standard climatic conditions: 23 °C / 73 °F, 50% relative humidity (according to DIN 50005 / ISO 554).

Disclaimer

Product Application Disclaimer (valid for ALL Habasit products and mentioned on all PDS)

This disclaimer is made by and on behalf of Habasit and its affiliated companies, directors, employees, agents and contractors (hereinafter collectively "HABASIT") with respect to the products referred to herein (the "Products"). SAFETY WARNINGS SHOULD BE READ CAREFULLY AND ANY RECOMMENDED SAFETY PRECAUTIONS BE FOLLOWED STRICTLY! Please refer to the Safety Warnings herein, in the Habasit catalogue as well as installation and operating manuals. All indications / information as to the application, use and performance of the Products are recommendations provided with due diligence and care, but no representations or warranties of any kind are made as to their completeness, accuracy or suitability for a particular purpose. The data provided herein are based on laboratory application with small-scale test equipment, running at standard conditions, and do not necessarily match product performance in industrial use. New knowledge and experience may lead to re-assessments and modifications within a short period of time and without prior notice.

EXCEPT AS EXPLICITLY WARRANTED BY HABASIT, WHICH WARRANTIES ARE EXCLUSIVE AND IN LIEU OF ALL OTHER WARRANTIES, EXPRESS OR IMPLIED, THE PRODUCTS ARE PROVIDED "AS IS". HABASIT DISCLAIMS ALL OTHER WARRANTIES, EITHER EXPRESS OR IMPLIED, INCLUDING, BUT NOT LIMITED TO, IMPLIED WARRANTIES OF MERCHANTABILITY, FITNESS FOR A PARTICULAR PURPOSE, NON-INFRINGEMENT, OR ARISING FROM A COURSE OF DEALING, USAGE, OR TRADE PRACTICE, ALL OF WHICH ARE HEREBY EXCLUDED TO THE EXTENT ALLOWED BY APPLICABLE LAW. BECAUSE CONDITIONS OF USE IN INDUSTRIAL APPLICATION ARE OUTSIDE OF HABASIT'S CONTROL, HABASIT DOES NOT ASSUME ANY LIABILITY CONCERNING THE SUITABILITY AND PROCESS ABILITY OF THE PRODUCTS, INCLUDING INDICATIONS ON PROCESS RESULTS AND OUTPUT.