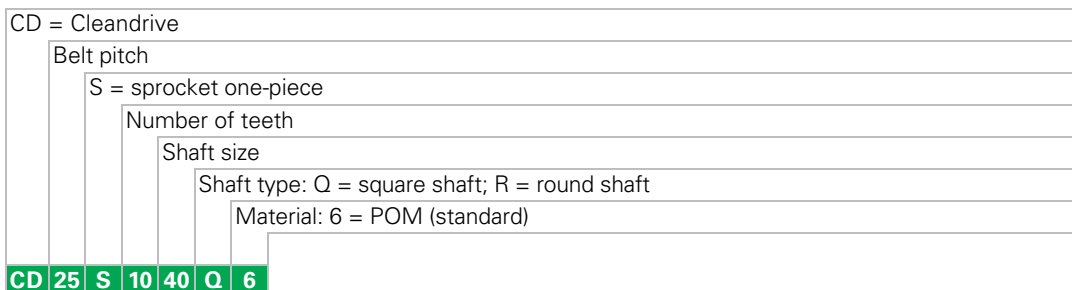


Habasit Cleandrive™ Sprocket Series CD25



Sprocket availability

Type	Number of teeth	Diam. of pitch $\varnothing d_p$		A_1		Hub width B_L		Square bore Q		\varnothing Round bore R	
		毫米	英寸	毫米	英寸	毫米	英寸	毫米	英寸	毫米	英寸
S-C3*	5	43.0	1.7	16.5	0.65	30	1.18	15	0.6	20	0.75
S-C3*	6	51.6	2.0	20.8	0.82	30	1.18	20	0.75	20	0.75
S-C3	7	60.1	2.4	25.1	0.99	30	1.18	25	1	30	1-3/16
S-C3	8	68.6	2.7	29.3	1.15	30	1.18	25	1	30	1-3/16
S-C3	10	85.7	3.4	37.9	1.49	30	1.18	25 / 40	1 / 1.5	30	1-3/16
S-C3	12	102.7	4.0	46.4	1.82	30	1.18	25 / 40	1 / 1.5	30	1-3/16
S-C3	14	119.8	4.7	54.9	2.16	30	1.18	40 / 60	1.5 / 2.5	30 / 50	1.5 / 2.5
S-C3	16	136.9	5.4	63.5	2.50	30	1.18	40 / 60	1.5 / 2.5	30 / 50	1.5 / 2.5
S-M2	10	85.7	3.4	37.9	1.49	30	1.18	40			
S-M2	12	102.7	4.0	46.4	1.82	30	1.18	40	1.5	30	
S-M2	20	171.0	6.7	80.5	3.17	30	1.18	40			

S-C3*: Machined sprockets for idle shaft only

S-C3: Machined sprockets

S-M2: Molded HyCLEAN sprockets

Other sprocket and hub sizes on request.

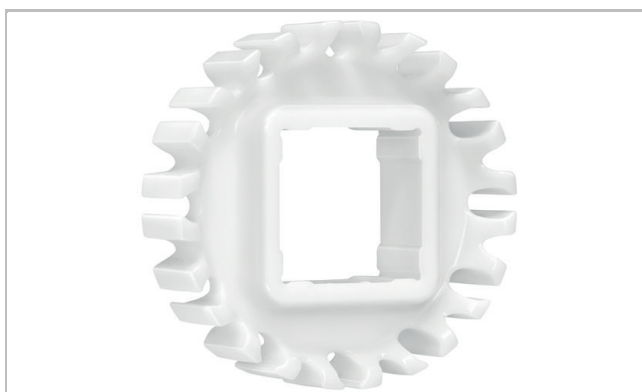
Key ways for round bore shape follow European standards for metric sizes and US standards for imperial sizes. For detailed dimensions see table in the Design Guide.

The **S-M2** with round **30 mm** is without key way and is used as idle sprocket.

Other materials available on request.

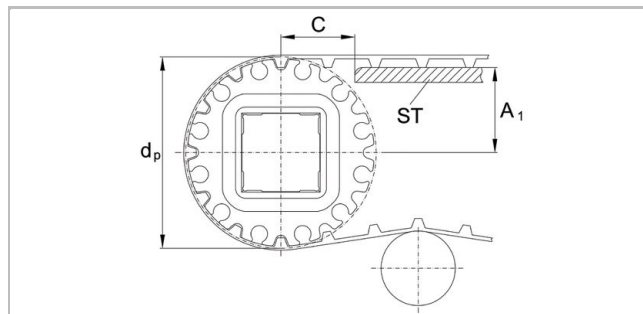
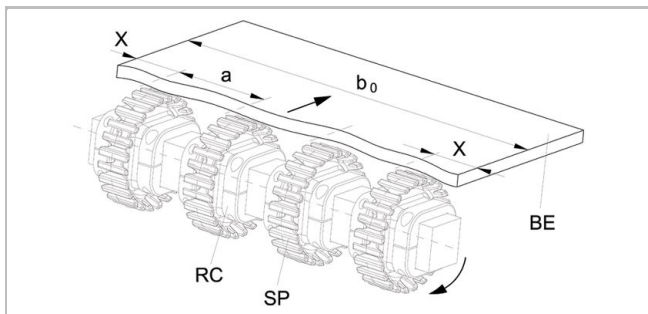


Habasit Cleandrive™ series C3



Habasit Cleandrive™ HyCLEAN series M2

Sprocket arrangement



BE Belt
RC Retainer
SP Sprocket
b₀ belt width

The distance **C** between the sprocket axis and the slider support **ST** is minimal 28 mm (1.1").

Wearstrips

Between driving shaft and idling sprockets or rollers the belt is carried by a slider support furnished with longitudinal wear strips from UHMW Polyethylene or other suitable material.

Number of sprockets and wearstrips

For light loaded belts with adjusted utilization below 50% the sprockets can be placed further apart. For heavy loaded belts with adjusted utilization above 50% and/or application with scrapers the sprockets must be placed closer together with larger number of sprockets on the drive shaft.

The table below shows the number of sprockets including distances for typical belt widths b_0 .

To calculate the adjusted belt tensile force contact your Habasit representative.

Belt width b_0	Number of sprockets				Edge distance x	Number of wear strips Carry way ¹⁾
	min. number of sprockets	Distance a [mm] / [inch]	Number of sprockets for belt load > 50%	Distance a [mm] / [inch]		
100 / 4	2	50 / 2.0	2	50 / 2.0	25 / 1	2
150 / 6	2	100 / 4.0	3	50 / 2.0	25 / 1	2
200 / 8	3	60 / 2.5	3	60 / 2.5	40 / 1.5	2
250 / 10	3	85 / 3.5	4	57 / 2.3	40 / 1.5	3
300 / 12	3	110 / 4.5	5	55 / 2.3	40 / 1.5	3
350 / 14	4	90 / 3.7	5	68 / 2.8	40 / 1.5	3
400 / 16	4	107 / 4.3	6	64 / 2.6	40 / 1.5	4
450 / 18	5	93 / 3.8	7	62 / 2.5	40 / 1.5	4
500 / 20	5	105 / 4.3	8	60 / 2.4	40 / 1.5	4
550 / 22	6	118 / 3.8	9	59 / 2.4	40 / 1.5	5
610 / 24	6	106 / 4.2	9	66 / 2.6	40 / 1.5	5

If the belt width is in-between the indicated width choose the number of sprockets from the nearest width. However adjust the distance a accordingly.

¹⁾ The required number of support is dependent on sprocket size and weight. The indicated number provides a distance of approx. 50 mm / 2" to 100 mm / 4".

Habasit Cleandrive™ Sprocket Series CD25



Belt width b ₀	Number of sprockets				Edge distance x	Number of wear strips
	[mm] / [inch]	min. number of sprockets	Distance a [mm] / [inch]	Number of sprockets for belt load > 50%		
650 / 26	7	95 / 3.8	10	63 / 2.6	40 / 1.5	6
700 / 28	7	103 / 4.2	11	62 / 2.5	40 / 1.5	6
750 / 30	8	96 / 3.9	11	67 / 2.7	40 / 1.5	7
800 / 32	8	103 / 4.1	12	65 / 2.6	40 / 1.5	7
850 / 34	9	96 / 3.9	13	64 / 2.6	40 / 1.5	8
900 / 36	9	103 / 4.1	14	63 / 2.5	40 / 1.5	8
950 / 38	10	97 / 3.9	14	67 / 2.7	40 / 1.5	9
1000 / 40	10	102 / 4.1	15	66 / 2.6	40 / 1.5	9
1100 / 44	11	102 / 4.1	16	64 / 2.6	40 / 1.5	10
1200 / 48	12	102 / 4.1	18	66 / 2.6	40 / 1.5	11
1300 / 52	13	102 / 4.1	20	64 / 2.6	40 / 1.5	12
1400 / 56	14	102 / 4.1	22	63 / 2.5	40 / 1.5	13
1500 / 60	15	101 / 4.1	24	62 / 2.5	40 / 1.5	14
1650 / 64	17	98 / 3.8	26	63 / 2.4	40 / 1.5	16
1750 / 68	18	98 / 3.8	28	62 / 2.4	40 / 1.5	17
1850 / 72	19	98 / 3.8	30	61 / 2.4	40 / 1.5	18

If the belt width is in-between the indicated width choose the number of sprockets from the nearest width. However adjust the distance a accordingly.

¹⁾The required number of support is dependent on sprocket size and weight. The indicated number provides a distance of approx. 50 mm / 2" to 100 mm / 4".

聲明

產品應用聲明(適用於所有哈伯斯特 Habasit 產品及所有產品資料表上提到的)

“這個聲明是由哈伯斯特 Habasit 及代表其附屬公司, 董事, 僱員, 代理人 and 承包商(以下統稱“HABASIT”)及與本文提到的產品(“產品”)關聯。請應仔細閱讀安全注意事項, 任何建議的安全警告必須嚴格遵守! 請參考此哈伯斯特 Habasit 目錄內的“安全警告”, 並參考相關安裝和操作手冊。所有關於應用、產品的使用、產品的性能的指示及資料, 皆是盡義務和關注性的建議, 只為了推薦用途, 對於它們的準確性、其完整性及在特定情況下的適用性, 均不可被視作陳述、保證、或承諾。本文提供的數據只是基於實驗室工作所在標準環境下使用小型測試工具運作取得, 它們不一定與在工業運作中的產品表現相符合。新的知識及經驗可能導致我們在短時間內為產品做出必須的修正及變更, 我們保留在不做任何通知的情況下, 修改及變更相關資料的權利。除非HABASIT明確地保證(此保證具獨立性、排他性, 並取代所有其他的、明示或暗示的保證), 否則產品是如購買的實物一樣。HABASIT否認所有其他保證, 包括明示或暗示但不限於適銷性, 針對特定用途的適用性, 非侵權, 或從處理或使用過程中產生的保證, 或貿易慣例, 所有這一切, 茲排除在適用法律允許的範圍內。由於產品的使用情況並非在瑞士哈伯斯特及其附屬公司可控制的範圍內, 我們無法對產品的適用性、可靠性、其工作能力、製程結果、產量、製品、潛在缺點、損害、相因而生的損害及深遠的損害負任何責任。註: 以上一切聲明以英文版本的實際內容為準。