

Long-tooth comb M5131C15

Installation data

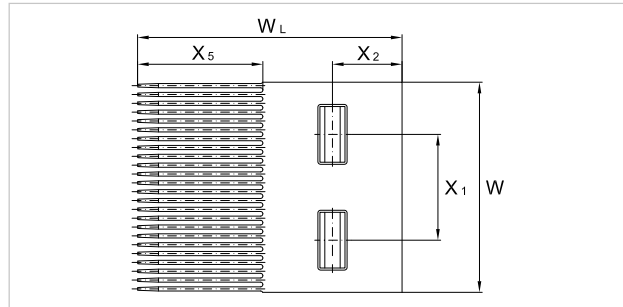
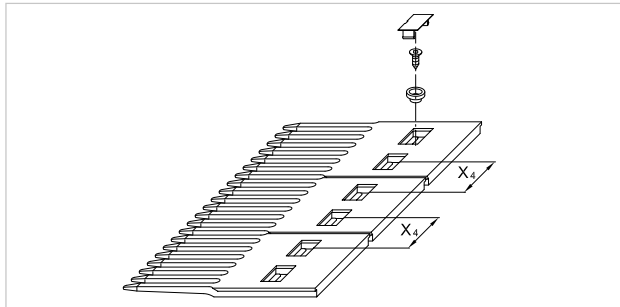
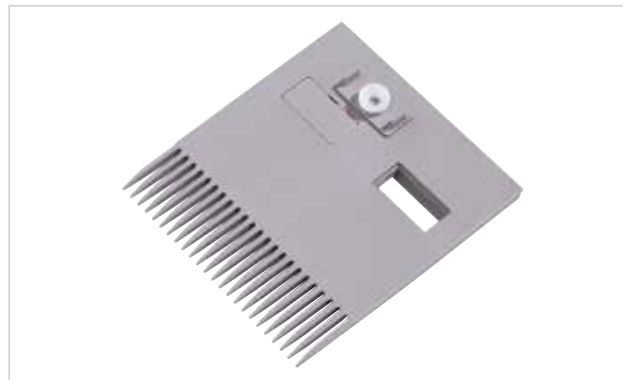
Dimensions	mm	inch
W	151	5.9
W_L	190	7.5
X_1	76	3.0
X_2	50	2.0
X_3	100 – 110	3.9 – 4.3
X_4	76	3.0
X_5	90	3.5
K	12	0.5
Y	$d_p/2 + 4$	$d_p/2 + 0.16$



Short-tooth comb M5131C16

Installation data

Dimensions	mm	inch
W	151	5.9
W_L	165	6.5
X_1	76	3.0
X_2	50	2.0
X_3	100	3.9
X_4	76	3.0
X_5	40	1.6
K	12	0.5
Y	$d_p/2 + 4$	$d_p/2 + 0.16$



Material data

Material	Acetal dry (wet)
Temperature °C	-40 – 90 (-40 – 60)
range °F	-40 – 195 (-40 – 140)
Color	grey

Other materials on request.

Note

The combs are fixed using a special distance bushing that allows lateral movement. This allows the combs to adapt their position to the lateral displacement of the belt, caused by thermal expansion. For belt widths up to 300 mm (12"), the plates can be firmly fixed (2 plates max). The fixation of the comb support should be adjustable to allow fine-tuning.

