

# HabasitLINK® Accessories – 1" Pitch Belting Flights and Sideguards M2500 (Straight Belts)

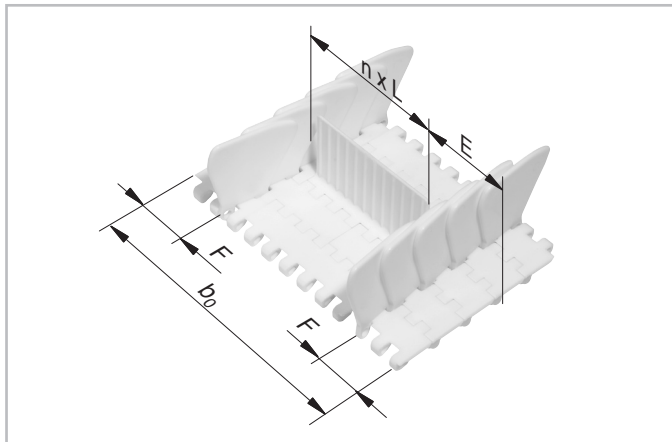
## Installation of flights and sideguards; indents

(For radius belts please refer to the specific data sheets.)

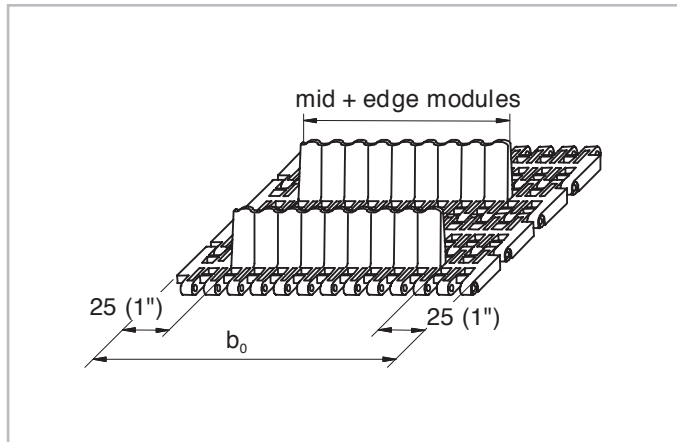
The sideguards are usually installed with a gap (G) between the sideguards and the flights. It is also possible to install the sideguards with a minimum gap

between flight and sideguard of approx. 2 mm (0.08"). There is a certain risk for rubbing and abrasion between the flights and the sideguards. The distance  $E_1$  between the sideguards and the hold down- and support-shoes/wearstrips should not be smaller than 5 mm (0.2"). For further details see Assembly Guide.

|                             | Possible flight indents E (not for M2533F05 edge flight) |      |  |      |    |      |  |      |    |      |
|-----------------------------|--|------|--|------|----|------|--|------|----|------|
|                             | Flight only  |      | Flight + Sideguard with gap (G ~8 mm (0.3")) |      |    |      | Flight + Sideguard without gap (G ~2 mm (0.08")) |      |    |      |
|                             | E  |      | E  |      | F  |      | E  |      | F  |      |
|                             | mm   | inch | mm   | inch | mm | inch | mm   | inch | mm | inch |
| Flight over full belt width | 0  | 0    | -  | -    | -  | -    | -  | -    | -  | -    |
| Module cutting necessary    | 33   | 1.3  | 33   | 1.3  | 16 | 0.65 | 33   | 1.3  | 25 | 1    |
| Standard, no module cutting | 50   | 2    | 50   | 2    | 33 | 1.3  | 50   | 2    | 41 | 1.6  |
| Module cutting necessary    | 66   | 2.6  | 66   | 2.6  | 50 | 2    | 66   | 2.6  | 58 | 2.3  |
| Module cutting necessary    | 83   | 3.2  | 83   | 3.2  | 66 | 2.6  | 83   | 3.2  | 75 | 3    |
| Standard, no module cutting | 100  | 4    | 100  | 4    | 83 | 3.2  | 100  | 4    | 93 | 3.7  |



M2510 with flights M2510F05 and Sideguards M2520G05 (top view)



Flush Grid flight M2533F07 + M253JF07



M2510 with flights M2510F05 and Sideguards M2520G05 (bottom view)