

# HabasitLINK® Accessories – 1" Pitch Belting Combs for M2531

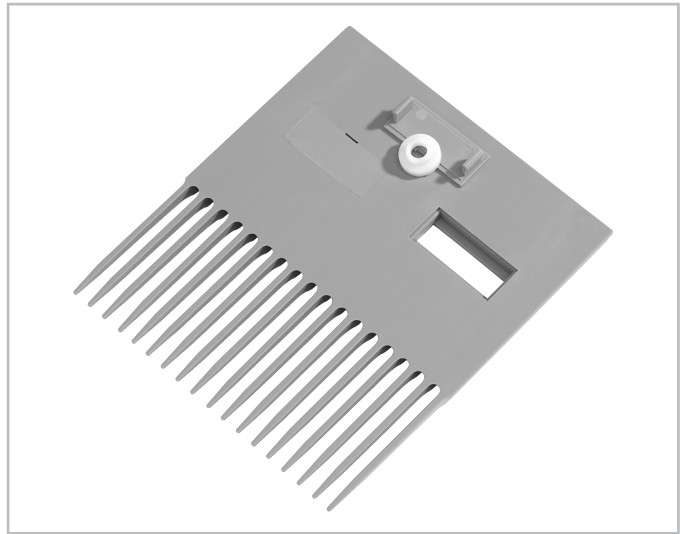
## Installation data

Dimensions	mm	inch
W	148	5.8
W <sub>L</sub>	170	7.5
X <sub>1</sub>	70	2.75
X <sub>2</sub>	50	2
X <sub>3</sub>	80 – 90	3.2 – 3.5
X <sub>4</sub>	80	3.2
X <sub>5</sub>	70	2.75
K	10	0.4

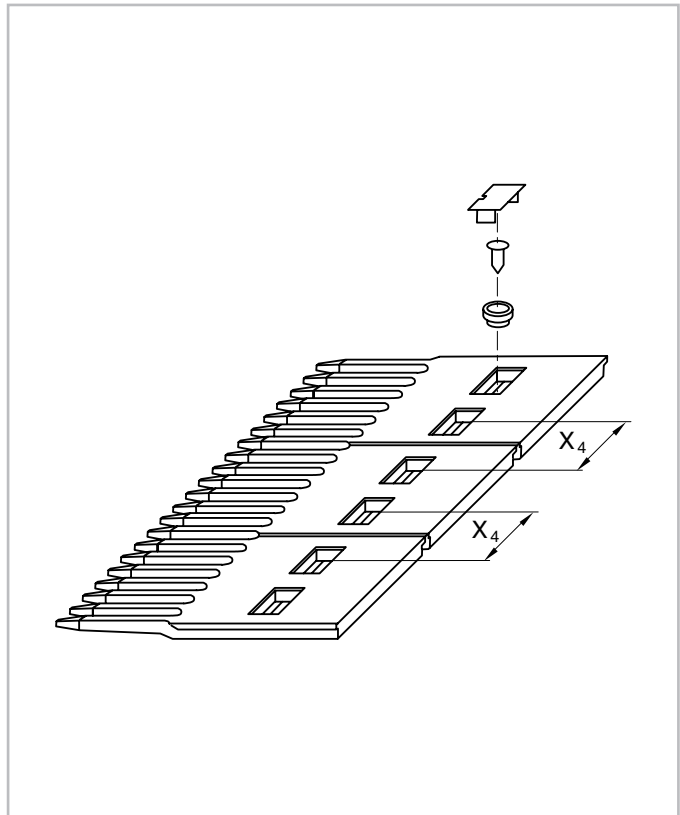
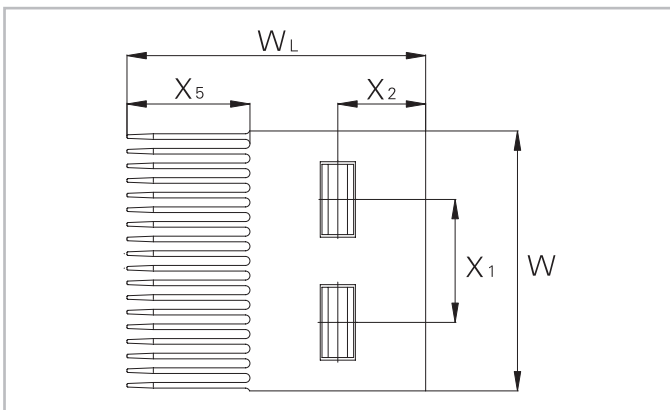
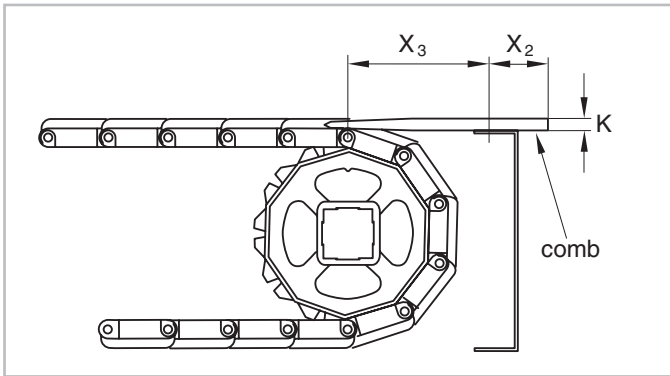
(Finger transfer plates)

Material	Acetal dry (wet)
Temperature range	°C: -40 – 90 (-40 – 60) °F: -40 – 195 (-40 – 140)
Color	grey

Other materials on request.



M2531C15



## Note

The combs are fixed using a special bushing that allows lateral movement. This allows the combs to adapt their position to the lateral displacement of the belt, caused by thermal expansion. For belt widths up to 300 mm (12"), the plates can be firmly fixed (2 plates max.).