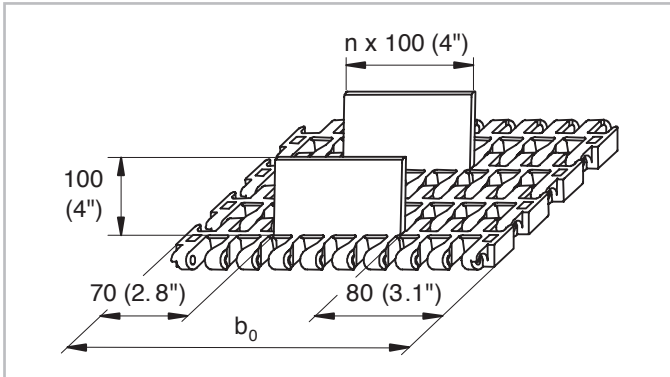
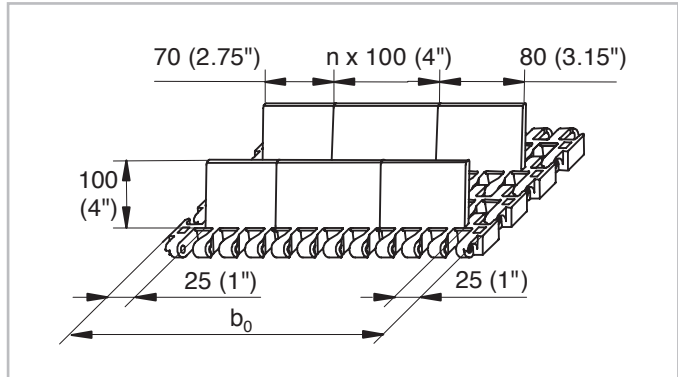


HabasitLINK® Accessories – 1-1/2" Pitch Belting Flights and Sideguards M3840

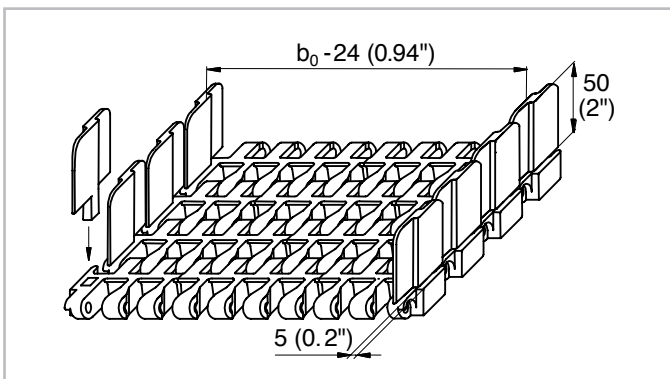
Assembly conceptions for M3840 Radius Belt Flights and Sideguards



Middle flights only



Middle and edge flights



Sideguards only (clip-on version)

Standard indents

The combination of flights and sideguards is possible, but not recommended. With sideguards, hold down modules must be used. On the return way the belt has to be supported either on the flights or between flights and sideguards (gap only 15 mm (0.6") wide). Do not support or guide the belt on the hold down tabs.

	left belt edge (running direction)	right belt edge (running direction)
Middle flights only (no indent flights)	70 mm (2.8")	80 mm (3.1")
Middle flights and indent flights	25 mm (1")	25 mm (1")
Sideguards	5 mm (0.2")	5 mm (0.2")