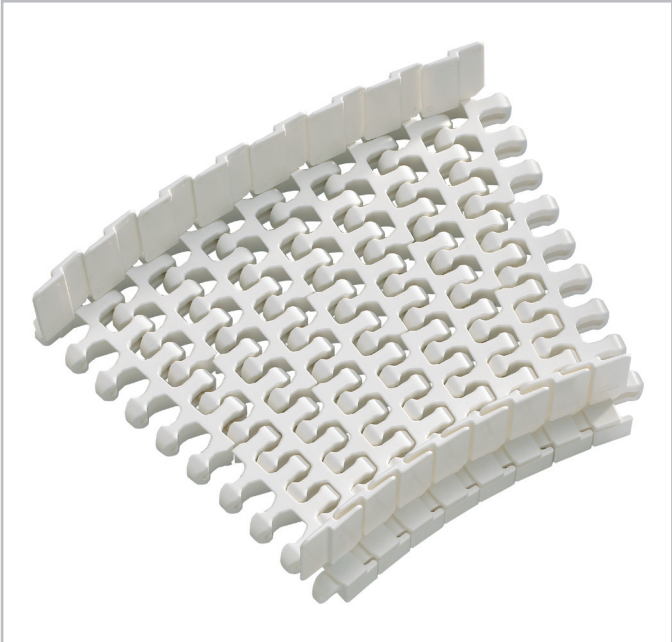
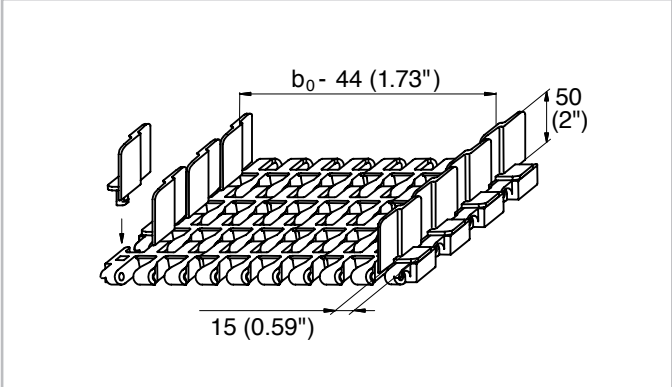


HabasitLINK® Accessories – 1-1/2" Pitch Belting Sideguards M3843

Sideguards are available in 50 mm height only.

The snap-on sideguards for M3843 cannot be used in combination with snap-on hold down tabs (hooks or side tabs). To avoid the belt in the curve to flip over or slip off the inner guide rail, hold down guides can be applied.



M3843 with sideguards