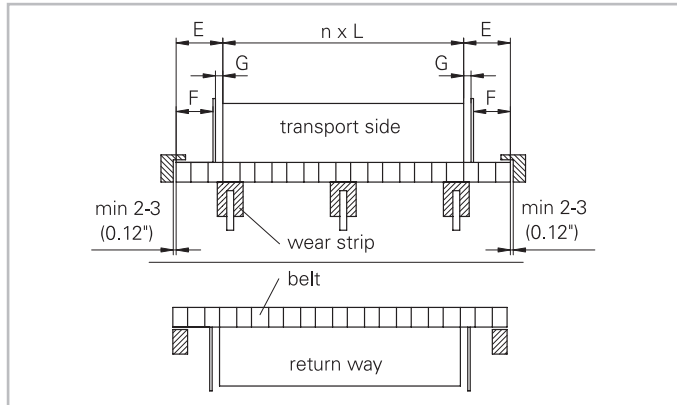


HabasitLINK® Accessories – 2" Pitch Belting Flights and Sideguards M5000

Indents (E)

The flight indent E is the distance between the edge of the belt and the edge of flight, and F is the distance between belt edge and sideguard. It is required for adequate support of the belt on its return way and hold down during back-bending applications (elevators). On short conveyors or with special support structure, the flights may also be applied over the full belt width ($E = 0$).



Notch (N)

The notch N is a gap in each row of flights, longitudinally aligned to allow the support of belts wider 600 mm (24") on its return way or in back-bending applications. The notch width (N) and the distance (M) from belt edge is a multiple of the link increment 18.75 mm (0.74") or 25.4 mm (1") for M5060 series. For metric M5000 series the minimum notch width is 37.5 mm (1.48") and for M5060 50.8mm (2").

