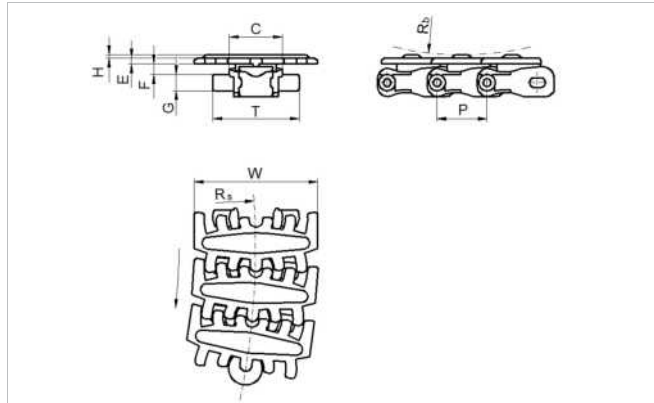


Description

- Radius running conveyor system plastic chain
- High friction GripTop inserts to allow for incline applications
- Easy assembly and disassembly
- Openings for cleaning with compressed air
- Capable to run on corner discs
- For conveyor layouts requiring tight turns



Chain data

Habasit code	Width W		Weight		Nominal tensile strength F_N		C		E		F		G		H		R_b
	mm	inch	kg/m	lb/ft	N	lbf	mm	inch	mm	inch	mm	inch	mm	inch	mm	inch	mm
C7100K0325LFHG	83.0	3.27	1.20	0.81	1250	281	35.6	1.40	3.8	0.16	7.1	0.28	11.1	0.44	2.3	0.09	90.0
C7100K0325PTHG	83.0	3.27	1.20	0.81	1250	281	35.6	1.40	3.8	0.16	7.1	0.28	11.1	0.44	2.3	0.09	90.0
C7100K0405LFHG	103.0	4.05	1.80	1.21	1250	281	46.0	1.81	4.8	0.18	7.1	0.28	12.1	0.48	2.3	0.09	100.0
C7100K0405PTHG	103.0	4.05	1.80	1.21	1250	281	46.0	1.81	4.8	0.18	7.1	0.28	12.1	0.48	2.3	0.09	100.0
C7100P0248LFHG	63.0	2.48	0.75	0.50	500	113	21.1	0.83	3.6	0.14	7.1	0.28	7.9	0.31	2.3	0.09	70.0
C7100P0248PTHG	63.0	2.48	0.75	0.50	500	113	21.1	0.83	3.6	0.14	7.1	0.28	7.9	0.31	2.3	0.09	70.0

Habasit code	R_b	R_s		P		T		Material
	inch	mm	inch	mm	inch	mm	inch	
C7100K0325LFHG	3.54	160	6.3	33.5	1.32	58.1	2.29	LF
C7100K0325PTHG	3.54	160	6.3	33.5	1.32	58.1	2.29	PT
C7100K0405LFHG	3.94	170	6.7	35.5	1.40	77.5	3.05	LF
C7100K0405PTHG	3.94	170	6.7	35.5	1.40	77.5	3.05	PT
C7100P0248LFHG	2.76	150	5.9	25.4	1.00	37.1	1.46	LF
C7100P0248PTHG	2.76	150	5.9	25.4	1.00	37.1	1.46	PT

Pin material: stainless steel

- Standard packaging: 3.048 m = 10 ft with build pattern -01, for special build patterns see Product Guide, Nomenclature page
- The weight specification is indicative
- GripTop material: G

Related products

- Solid Sprockets-Series 7100
- Solid Idlers-Series 7100
- HabiPLAST wear strips LC-14

For further information and availability please contact your local Habasit partner.

Disclaimer

Product Application Disclaimer (valid for ALL Habasit products and mentioned on all PDS)

This disclaimer is made by and on behalf of Habasit and its affiliated companies, directors, employees, agents and contractors (hereinafter collectively "HABASIT") with respect to the products referred to herein (the "Products"). SAFETY WARNINGS SHOULD BE READ CAREFULLY AND ANY RECOMMENDED SAFETY PRECAUTIONS BE FOLLOWED STRICTLY! Please refer to the Safety Warnings herein, in the Habasit catalogue as well as installation and operating manuals. All indications / information as to the application, use and performance of the Products are recommendations provided with due diligence and care, but no representations or warranties of any kind are made as to their completeness, accuracy or suitability for a particular purpose. The data provided herein are based on laboratory application with small-scale test equipment, running at standard conditions, and do not necessarily match product performance in industrial use. New knowledge and experience may lead to re-assessments and modifications within a short period of time and without prior notice.

EXCEPT AS EXPLICITLY WARRANTED BY HABASIT, WHICH WARRANTIES ARE EXCLUSIVE AND IN LIEU OF ALL OTHER WARRANTIES, EXPRESS OR IMPLIED, THE PRODUCTS ARE PROVIDED "AS IS". HABASIT DISCLAIMS ALL OTHER WARRANTIES, EITHER EXPRESS OR IMPLIED, INCLUDING, BUT NOT LIMITED TO, IMPLIED WARRANTIES OF MERCHANTABILITY, FITNESS FOR A PARTICULAR PURPOSE, NON-INFRINGEMENT, OR ARISING FROM A COURSE OF DEALING, USAGE, OR TRADE PRACTICE, ALL OF WHICH ARE HEREBY EXCLUDED TO THE EXTENT ALLOWED BY APPLICABLE LAW. BECAUSE CONDITIONS OF USE IN INDUSTRIAL APPLICATION ARE OUTSIDE OF HABASIT'S CONTROL, HABASIT DOES NOT ASSUME ANY LIABILITY CONCERNING THE SUITABILITY AND PROCESS ABILITY OF THE PRODUCTS, INCLUDING INDICATIONS ON PROCESS RESULTS AND OUTPUT.