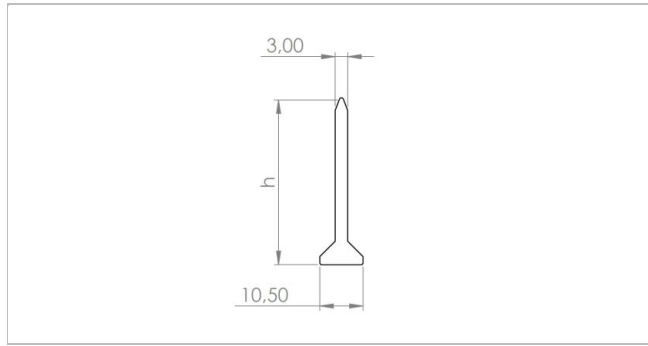
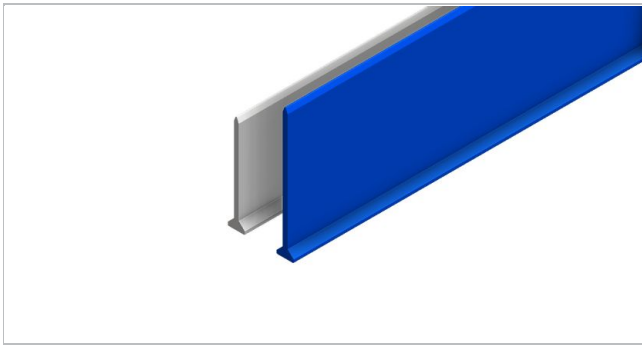


Antimicrobial Narrow Cleats E-PN-F+H15



Product data

Technical data		
Material type	TPU Polyester	
Hardness	85	ShA
Material Option	USA Antimicrobial	

Code	Item number	Color	Food grade	DoC Name	h	Weight
					mm	kg/m
E-PN20-FW-B144+H15	S090039503	White	Yes	FW+H15	20	0.10
E-PN30-FW-B100+H15	S090039504	White	Yes	FW+H15	30	0.13
E-PN40-FW-B60+H15	H090035359	White	Yes	FW+H15	40	0.17
E-PN60-FC-B43+H15	S090039510	Cobalt blue	Yes	FC+H15	60	0.24
E-PN60-FW-B43+H15	H090035355	White	Yes	FW+H15	60	0.24

All data are approximate values under standard climatic conditions: 23°C/73°F, 50% relative humidity (DIN 50005/ISO 554).

Code	Minimum pulley dia. conveying side transversal
	mm
E-PN20-FW-B144+H15	50
E-PN30-FW-B100+H15	50
E-PN40-FW-B60+H15	50
E-PN60-FC-B43+H15	50
E-PN60-FW-B43+H15	50

Chemical resistance

Link to 'Chemical resistance information': <https://rims.habasit.com>

Recommendation

General dimensional tolerance: $\pm 3\%$ or ± 0.20 mm (whichever is greater).

This material contains an antimicrobial additive approved by EPA for use with conveyor belts in food contact applications

HabaGUARD belts are restricted for direct food contact applications to use at or below room temperature. HabaGUARD is designed to meet the national regulations of the USA. Compliance with regulations in other countries has to be ensured by the user.

This product does not protect users or others against food borne or disease-causing bacteria. Proper cleaning procedures must always be adhered to.

Antimicrobial Narrow Cleats

E-PN-F+H15



Disclaimer

Product Application Disclaimer (valid for ALL Habasit products and mentioned on all PDS)

This disclaimer is made by and on behalf of Habasit and its affiliated companies, directors, employees, agents and contractors (hereinafter collectively "HABASIT") with respect to the products referred to herein (the "Products"). SAFETY WARNINGS SHOULD BE READ CAREFULLY AND ANY RECOMMENDED SAFETY PRECAUTIONS BE FOLLOWED STRICTLY! Please refer to the Safety Warnings herein, in the Habasit catalogue as well as installation and operating manuals. All indications / information as to the application, use and performance of the Products are recommendations provided with due diligence and care, but no representations or warranties of any kind are made as to their completeness, accuracy or suitability for a particular purpose. The data provided herein are based on laboratory application with small-scale test equipment, running at standard conditions, and do not necessarily match product performance in industrial use. New knowledge and experience may lead to re-assessments and modifications within a short period of time and without prior notice.

EXCEPT AS EXPLICITLY WARRANTED BY HABASIT, WHICH WARRANTIES ARE EXCLUSIVE AND IN LIEU OF ALL OTHER WARRANTIES, EXPRESS OR IMPLIED, THE PRODUCTS ARE PROVIDED "AS IS". HABASIT DISCLAIMS ALL OTHER WARRANTIES, EITHER EXPRESS OR IMPLIED, INCLUDING, BUT NOT LIMITED TO, IMPLIED WARRANTIES OF MERCHANTABILITY, FITNESS FOR A PARTICULAR PURPOSE, NON-INFRINGEMENT, OR ARISING FROM A COURSE OF DEALING, USAGE, OR TRADE PRACTICE, ALL OF WHICH ARE HEREBY EXCLUDED TO THE EXTENT ALLOWED BY APPLICABLE LAW. BECAUSE CONDITIONS OF USE IN INDUSTRIAL APPLICATION ARE OUTSIDE OF HABASIT'S CONTROL, HABASIT DOES NOT ASSUME ANY LIABILITY CONCERNING THE SUITABILITY AND PROCESS ABILITY OF THE PRODUCTS, INCLUDING INDICATIONS ON PROCESS RESULTS AND OUTPUT.