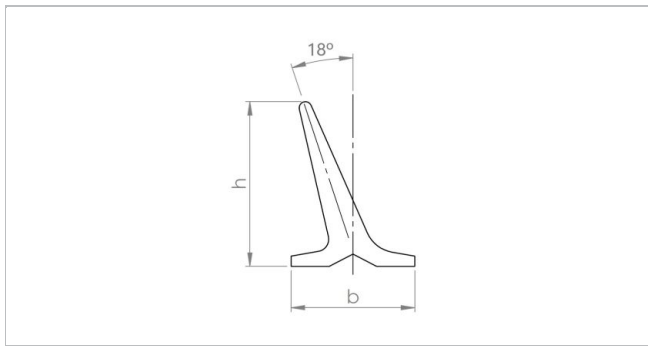
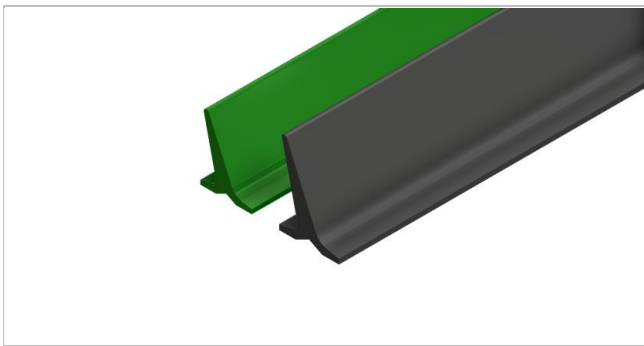


# Inclined T-shape Cleats E-PT-S



## Product data

Technical data		
Material type	PVC	
Hardness	65	ShA

Code	Item number	Color	Food grade	b	h	Weight
				mm	mm	kg/m
E-PT20-SA-B156	H090034160	Anthracite	No	20.0	20	0.14
E-PT20-SD-B156	H090034760	Dark green	No	20.0	20	0.14
E-PT30-SA-B72	H090034163	Anthracite	No	30.0	30	0.27
E-PT30-SD-B72	H090034763	Dark green	No	30.0	30	0.27
E-PT40-SA-B60	H090034166	Anthracite	No	30.0	40	0.38
E-PT40-SD-B60	H090034766	Dark green	No	30.0	40	0.38
E-PT50-SA-B36	H090034169	Anthracite	No	35.0	50	0.54
E-PT50-SD-B36	H090034769	Dark green	No	35.0	50	0.54
E-PT70-SA-B24	H090034175	Anthracite	No	40.0	70	0.84
E-PT70-SD-B24	H090034775	Dark green	No	40.0	70	0.84

All data are approximate values under standard climatic conditions: 23°C/73°F, 50% relative humidity (DIN 50005/ISO 554).

Code	Minimum pulley dia. conveying side transversal
	mm
E-PT20-SA-B156	90
E-PT20-SD-B156	90
E-PT30-SA-B72	100
E-PT30-SD-B72	100
E-PT40-SA-B60	100
E-PT40-SD-B60	100
E-PT50-SA-B36	120
E-PT50-SD-B36	120
E-PT70-SA-B24	150
E-PT70-SD-B24	150

## Chemical resistance

Link to 'Chemical resistance information': <https://rims.habasit.com>

## Recommendation

General dimensional tolerance:  $\pm 3\%$  or  $\pm 0.20$  mm (whichever is greater).

# Inclined T-shape Cleats E-PT-S



## **Disclaimer**

### **Product Application Disclaimer (valid for ALL Habasit products and mentioned on all PDS)**

This disclaimer is made by and on behalf of Habasit and its affiliated companies, directors, employees, agents and contractors (hereinafter collectively "HABASIT") with respect to the products referred to herein (the "Products"). SAFETY WARNINGS SHOULD BE READ CAREFULLY AND ANY RECOMMENDED SAFETY PRECAUTIONS BE FOLLOWED STRICTLY! Please refer to the Safety Warnings herein, in the Habasit catalogue as well as installation and operating manuals. All indications / information as to the application, use and performance of the Products are recommendations provided with due diligence and care, but no representations or warranties of any kind are made as to their completeness, accuracy or suitability for a particular purpose. The data provided herein are based on laboratory application with small-scale test equipment, running at standard conditions, and do not necessarily match product performance in industrial use. New knowledge and experience may lead to re-assessments and modifications within a short period of time and without prior notice.

EXCEPT AS EXPLICITLY WARRANTED BY HABASIT, WHICH WARRANTIES ARE EXCLUSIVE AND IN LIEU OF ALL OTHER WARRANTIES, EXPRESS OR IMPLIED, THE PRODUCTS ARE PROVIDED "AS IS". HABASIT DISCLAIMS ALL OTHER WARRANTIES, EITHER EXPRESS OR IMPLIED, INCLUDING, BUT NOT LIMITED TO, IMPLIED WARRANTIES OF MERCHANTABILITY, FITNESS FOR A PARTICULAR PURPOSE, NON-INFRINGEMENT, OR ARISING FROM A COURSE OF DEALING, USAGE, OR TRADE PRACTICE, ALL OF WHICH ARE HEREBY EXCLUDED TO THE EXTENT ALLOWED BY APPLICABLE LAW. BECAUSE CONDITIONS OF USE IN INDUSTRIAL APPLICATION ARE OUTSIDE OF HABASIT'S CONTROL, HABASIT DOES NOT ASSUME ANY LIABILITY CONCERNING THE SUITABILITY AND PROCESS ABILITY OF THE PRODUCTS, INCLUDING INDICATIONS ON PROCESS RESULTS AND OUTPUT.