

# HabasitLINK® SM605 (Smooth Mesh)

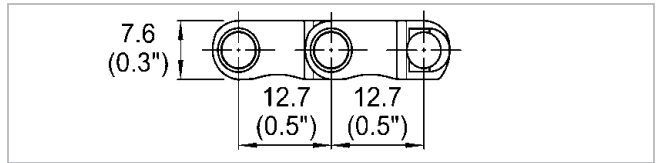
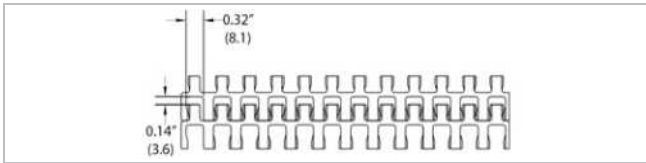


## Description

- 1/2 inch pitch
- 22% open area; 67% open contact area; largest opening 0.14x0.32 inches (3.6x8.1 mm)
- Food approved materials
- Bi-directional
- 3/4 inch (19.1 mm) diameter nosebar capability
- Connecting rod diameter = 0.172 inch (4.4 mm)

## Available accessories

- Saniclip



## Belt data

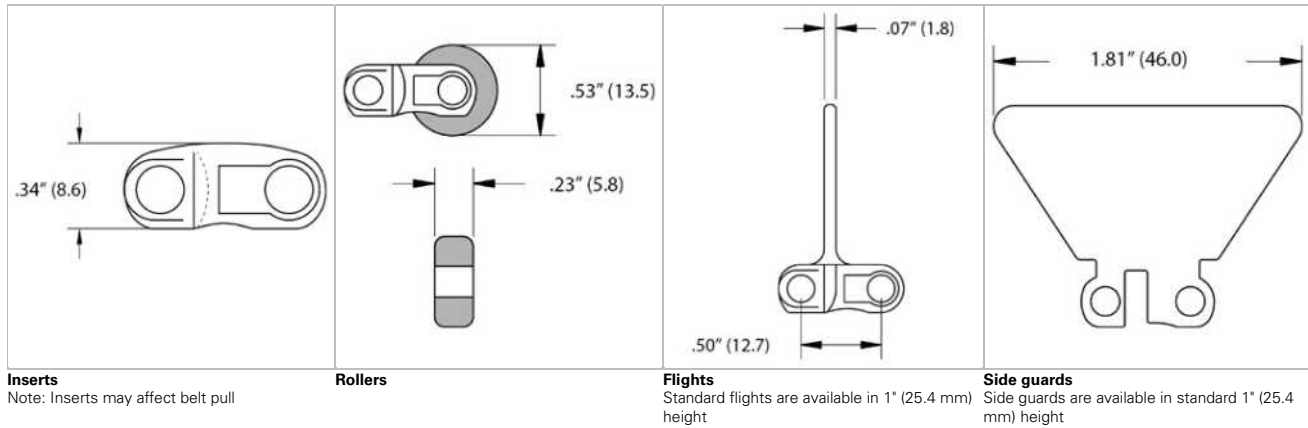
Belt material		PA	PA+HN	PE	POM	PP
Rod material		PP	PA+GF	PE	PP	
Nominal tensile strength $F'_N$ straight run	N/m	20431	10945	7005	20431	11675
	lb/ft	1400	750	480	1400	800
Temperature range	°C	5 - 105	-40 - 170	-70 - 65	5 - 93	5 - 105
	°F	40 - 220	-40 - 338	-94 - 150	40 - 200	40 - 220
Temperature maximum (short-term)	°C		200			
	°F		392			
Belt weight $m_B$	kg/m <sup>2</sup>	5.2	5.2	4.4	6.1	4.2
	lb/sqft	1.06	1.06	0.91	1.25	0.86
Standard belt color		gray	maroon	white	blue white	gray white

Diameter of idling rollers (minimum)	
mm	inch
19	0.75

**Standard range of belt** widths in increments of 1" (25.4mm) starting from 2" (50.8mm) Non standard widths are offered in increments of 0.5" (12.7mm) starting from 3" (76.2mm) upon request. Material selection may affect belt width — please contact your local partner for actual dimensions.

Additional belt colors and materials available, abrasive resistant Nylon (Polyamide) rods available.

## Belt accessories



## Disclaimer

### Product Application Disclaimer (valid for ALL Habasit products and mentioned on all PDS)

This disclaimer is made by and on behalf of Habasit and its affiliated companies, directors, employees, agents and contractors (hereinafter collectively "HABASIT") with respect to the products referred to herein (the "Products"). SAFETY WARNINGS SHOULD BE READ CAREFULLY AND ANY RECOMMENDED SAFETY PRECAUTIONS BE FOLLOWED STRICTLY! Please refer to the Safety Warnings herein, in the Habasit catalogue as well as installation and operating manuals. All indications / information as to the application, use and performance of the Products are recommendations provided with due diligence and care, but no representations or warranties of any kind are made as to their completeness, accuracy or suitability for a particular purpose. The data provided herein are based on laboratory application with small-scale test equipment, running at standard conditions, and do not necessarily match product performance in industrial use. New knowledge and experience may lead to re-assessments and modifications within a short period of time and without prior notice.

EXCEPT AS EXPLICITLY WARRANTED BY HABASIT, WHICH WARRANTIES ARE EXCLUSIVE AND IN LIEU OF ALL OTHER WARRANTIES, EXPRESS OR IMPLIED, THE PRODUCTS ARE PROVIDED "AS IS". HABASIT DISCLAIMS ALL OTHER WARRANTIES, EITHER EXPRESS OR IMPLIED, INCLUDING, BUT NOT LIMITED TO, IMPLIED WARRANTIES OF MERCHANTABILITY, FITNESS FOR A PARTICULAR PURPOSE, NON-INFRINGEMENT, OR ARISING FROM A COURSE OF DEALING, USAGE, OR TRADE PRACTICE, ALL OF WHICH ARE HEREBY EXCLUDED TO THE EXTENT ALLOWED BY APPLICABLE LAW. BECAUSE CONDITIONS OF USE IN INDUSTRIAL APPLICATION ARE OUTSIDE OF HABASIT'S CONTROL, HABASIT DOES NOT ASSUME ANY LIABILITY CONCERNING THE SUITABILITY AND PROCESS ABILITY OF THE PRODUCTS, INCLUDING INDICATIONS ON PROCESS RESULTS AND OUTPUT.